

THE NEW SILENT+ MINI LIME QUIETLY BRILLIANT



Silent+ Mini Lime
FP3322/5
Rated 100-250V, 0.18A, 2.1W, 50/60Hz
Max. ambient temp. 40°/104°F IP24
Continuous Alarm contacts 230V SA Class II
CAUTION FOR PUMPING WATER ONLY FOR INDOOR USE ONLY
ATTENTION POUR LE POMPAGE DE L'EAU (QUEL QUE SOIT LE MODE D'UTILISATION EN INTÉRIEUR)
ASPEN CE UK CA



Simple & faster install.

No need for a damper, anti-siphon, buttons or lights.
No need for a Maxi Lime - this pump is a Mini and Maxi all-in-one.

Fits all trunking systems.

Plus, our Kwik Fix range is available in three colours (white, cream, black).

Plug & Play. Backwards compatible. Perfect for replacement installations.
Replacement pump available, alongside the complete system.

Near-silent operation. As low as 16dB(A)@1m.

Variable speed, on demand power, no-touching parts = silence.

Proven tech. Same tech as our best-selling Silent+ Mini White.
Only works when it needs to. Up to 10 x lower power consumption.

An impressive flow rate of up to 40 l/h, larger tank and head capability.

Satisfaction guaranteed. All backed with a three year guarantee.



* Kwik Fix, Slimline, BBJ are trademarks of Aspen Pumps.
† SpeediDuct® & Optimal® (registered trademarks of Castel Engineering).

Silent+ Mini Lime®

CONDENSATE REMOVAL PUMP



The new and improved 5th gen Silent+ Mini Lime – just 16dB(A) this is the quietest and most versatile of elbow pumps. Simple and flexible to install. The proven technology delivers an impressive flow rate and lower power consumption. All round maximum performance, on-demand power, near-silent operation, optimum reliability and increased energy efficiency.

40L/h max. flow

15m max. rec. head

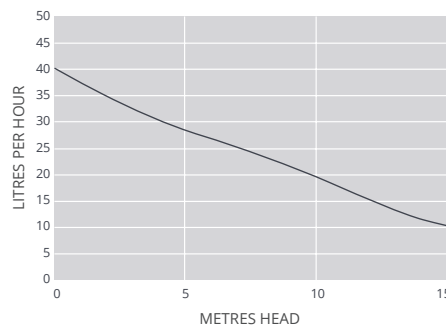
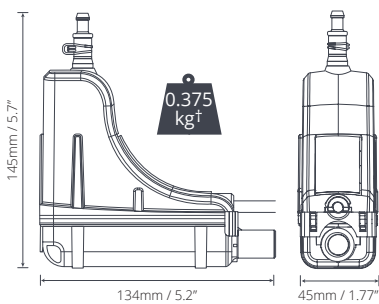
16dB(A) @ 1m

KEY FEATURES

- Backwards compatible plug & play cable
- Fits all popular trunking systems
- Quick install – no longer need for a damper, anti-siphon
- Up to 40L/h flow rate and up to 10 x lower power consumption

SUITABILITY

- Up to 46kW / 157,000Btu/h
- High wall split systems
- Left or right install with range of trunking systems
- ✓ **Perfect for...** Commercial use where silence is important



SUGGESTED XTRA ACCESSORIES

| Description | Part No. |
|-------------------------------|---------------|
| 1 Amp Fuse | FP2620 |
| Tube To Soil Stack Adaptor | FP2038 |
| Vinyl Tube Braided 1/4" (6mm) | AX5100 |

SILENT+ MINI LIME Univolt: 100-250 VAC 50/60Hz

| | |
|--------------------------|--|
| Max. flow | 40L @ 0m head per hr |
| Max. rec. head | 15m |
| dB(A) @ 1m | As low as 16* |
| Power supply | 100-250 VAC, 0.18A, 2.1W, 50/60Hz |
| Rated Class | Continuous II appliance <input type="checkbox"/> |
| Max. unit output | Up to 46kW / 157000Btu/h |
| Max. ambient temp | 40°C |
| Inlet/Outlet connections | Inlet o/d: Ø16mm Outlet o/d: Ø6mm |
| IP Protection | IP24 |
| Safety switch | 5.0A N.C. (Normally Closed) |
| Self priming | ✓ |

*Assuming solid wall construction with a 2kW unit.

SILENT+ MINI LIME SYSTEM OPTIONS

| System | Colour | Part No. |
|--------------------------------|---------|-------------------|
| Slimline | ○ Ivory | FP3312/5 |
| | ○ White | FP3319/5 |
| Kwik Fix | ○ Cream | FP3323/5 |
| | ● Black | FP3325/5 |
| | ○ White | FP3324/5 |
| O-Ducting | ○ White | FP3327/5 ‡ |
| S-Ducting | ○ White | FP3320/5 ‡ |
| Inoac | ○ White | FP3321/5 |
| Silent+ Mini Lime Replacement† | | FP3322/5 |

† Pump only – no trunking included

IN THE BOX

Silent+ Mini Lime pump (including 1.5m Plug & Play cable) • 500mm Lime green inlet hose 14mm ID • 40mm Vinyl breather tube 6mm ID • Elbow front and back • 800mm trunking front and back • Internal trunking sleeve (Slimline system only) • Gasket (Slimline, S-Ducting and Inoac systems only) • Ceiling plate • Drain connector kit • Fixing kit • Quick Start Guide



Visit aspenspumps.com for more installation accessories.

‡ FP3320/5 trunking system is SpeediDuct® compatible.
‡‡ FP3327/5 trunking system is Optimal® compatible.
(SpeediDuct® & Optimal Duct are registered trademarks of Castel Engineering).