

COMBI

3004146

EN

INSTALLATION AND OPERATING GUIDE

Condensate Pump

DE

INSTALLATIONS- UND BEDIENUNGSANLEITUNG

Kondensatpumpe

FR

GUIDE D'INSTALLATION ET D'UTILISATION

Pompe de relevage de condensats

IT

ISTRUZIONI PER L'INSTALLAZIONE E L'USO

pompa per condensa

ES

GUÍA DE INSTALACIÓN Y FUNCIONAMIENTO

bomba de condensados



Contents

Introduction	02
General information	02
Important safety notice	02
Technical data	03
Product description	04
Transport and storage	06
Commissioning	06
Maintenance	14
Return and disposal	14
Troubleshooting	15
Replacement parts and accessories	16
Appendix	16

Introduction

Thank you for purchasing our all-new Combi condensate pump. The Combi has been completely redesigned retaining all the good features you like and upgrading everything else. Its digital water sensor, universal voltage and user configurable flow ensure it is the strongest, quietest under A/C mounted condensate pump on the market today.

General information

REFCO products have been specially designed and manufactured for use by trained refrigeration and air-conditioning service engineers only. REFCO explicitly states that their products must only be sold to professionally trained service engineers.

These operating instructions contain important information about handling the Combi. Safe operation of the device requires adherence to all safety instructions and operating guidelines.

- The local safety regulations applicable to the area in which the Combi is being used should also be adhered to, along with general safety guidelines.
- The operating instructions are part of the product and should be stored in close proximity to the Combi where they should be readily accessible to qualified personnel at all times.
- The qualified personnel must have carefully read and understood the operating instructions prior to operating the device.
- The manufacturer shall not be liable for any damage whatsoever arising through improper use, failure to comply with these operating instructions, assignment of inadequately qualified personnel, or unauthorised modification of the Combi.
- The general terms and conditions as set out in the sales documentation shall apply.

Symbols and writing standards



WARNING/CAUTION

An appropriate safety instruction should be followed or caution to a potential hazard exists.



DANGEROUS VOLTAGE

To indicate hazards arising from dangerous voltages.



Please read all safety and installation instructions completely before commencing.



Waste of Electrical and Electronic Equipment (WEEE) Do not throw the pump in domestic waste



CE compliant / UKCA compliant

Certification mark that indicates conformity with health, safety and environmental protection standard for products



RoHS compliant



Regulatory Compliance Mark (RCM)

Compliant with the electrical safety requirements of Australia and New Zealand



ETL recognized component

This product has been tested and meets the applicable published standard for North America and Canada

Safety instructions



Please read all safety and installation instructions completely before commencing.

To prevent any risk only certified and appropriately trained staff with sufficient technical training and tools shall install this product. Product installation and electrical connections both require professional training for safe installation and correct product operation.

This appliance is not intended for use by persons (including children) with reduced physical, sensory or mental capabilities, or lack of experience and knowledge, unless they have been given supervision or instruction concerning use of the appliance by a person responsible for their safety.

Children should be supervised to ensure that they do not play with the appliance.

Save these instructions for further reference.



For indoor use only. To identify electrical equipment designed primarily for indoor use. Not submersible.

The Combi condensate pump is to be installed in accordance with local and regional electrical codes.



WARNING: Disconnect all electrical power before starting installation, maintenance, or service work.



WARNING: Disconnect electrical power before removing and checking internal fuse.



CAUTION: Do not install the REFCO condensate pump if there are any signs of damage.



WARNING: The supplied power and alarm cords must be checked for signs of damage before installation and periodically thereafter. If a cord is damaged, it must be replaced by the correct part supplied either by Refco or by an approved service agent.



The Combi combined power/alarm cable lead-out is non-replaceable. If this is damaged the entire pump must be replaced.



WARNING: The REFCO condensate pump cables should not be cut, and should be routed so that they cannot be damaged during and after installation.

CAUTION: All tubing connections are to be secured in place on the barb connections using self-locking cable tie-wraps.

DO NOT use tools to connect the tubing.

DO NOT operate this product in ambient temperatures below 5 °C (41 °F).

DO NOT operate with incoming water above a temperature of 40 °C (104 °F).

CAUTION: Do not allow any chemicals to come in contact with this condensate pump. Please remove the pump and water sensor before using any coil cleaning solutions and other chemicals. Flush the evaporator coils with water before reinstalling the condensate pump and water sensor.

Ensure the evaporator coils are free of chemicals before reinstallation of the REFCO Combi pump.

CAUTION: This appliance incorporates an earth connection for functional purposes only.



Power cable **must not be entered with a tensile load.**



Alarm cable **and power cable must be completely pressed into the jack.**



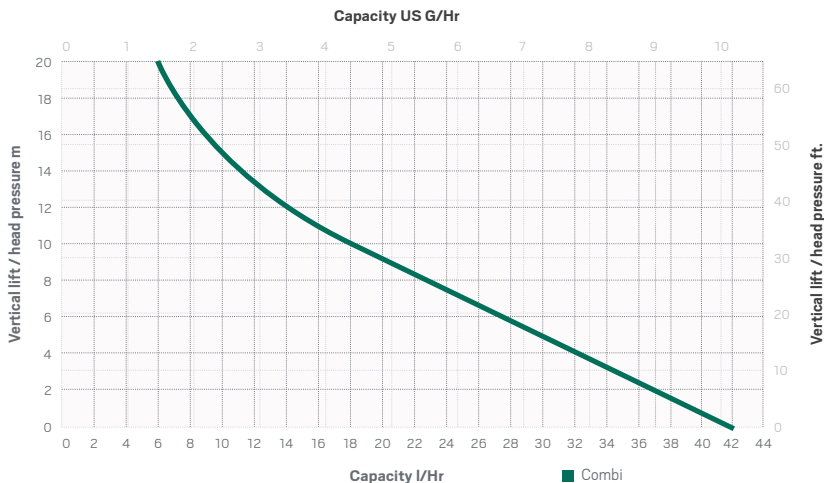
Only use the original power cable **and alarm cable** .

Technical data

Maximum flow rate:	42 l/Hr. (11 GPH)
Maximum suction:	3 m (9.80 ft.) self priming
Maximum head:	20 m (65.60 ft.)
Maximum horizontal run:	100 m (330 ft.) at 0 head and 0 suction
Sound:	20dBA at 1 m DIN EN ISO 3741:2011 / DIN EN ISO 3744:2010
Voltage:	100 – 240 VAC 50/60 Hz auto sensing universal power input
Power:	8W during maximum operation at 110V
Alarm relay:	7 Amps contacts with integrated replaceable 6.3A fuse 5 x 20 mm
Weight:	1'000 g (2.2 lb.)
Discharge star tube:	6.25 mm I.D. (1/4") x 1 m (3.3 ft.)
Packaging dimensions:	250 x 340 x 54 mm (9.9 x 13.4 x 2.1 inches)
Bulk pack dimensions:	10 Pcs dimensions are 590 x 265 x 365 mm (23.2 x 10.4 x 14.4 inches)
Color:	RAL #7040 Grey and RAL #1023 Yellow
Protection:	Fully potted, IP-44
Operation temp:	Ambient 5°C to 40°C (41°F to 104°F) / Water 5°C to 40°C (41°F to 104°F)
Compliance:	Conforms to UL 778, CSA C22.2 #108 and UL 2043 (plenum rated)

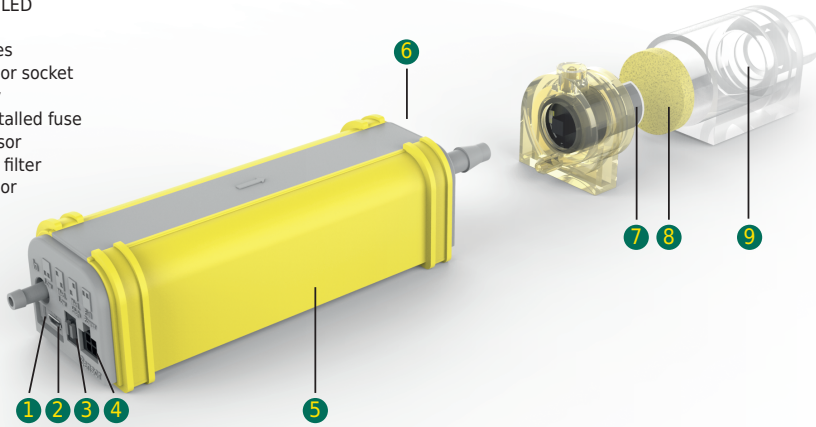


Capacity

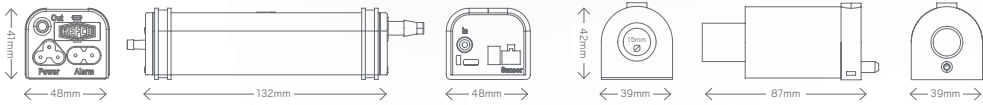


Product description

- 1 Diagnostic LED
- 2 USB port
- 3 DIP-switches
- 4 Water sensor socket
- 5 Pump body
- 6 Factory-installed fuse
- 7 Digital sensor
- 8 Replacable filter
- 9 Water sensor



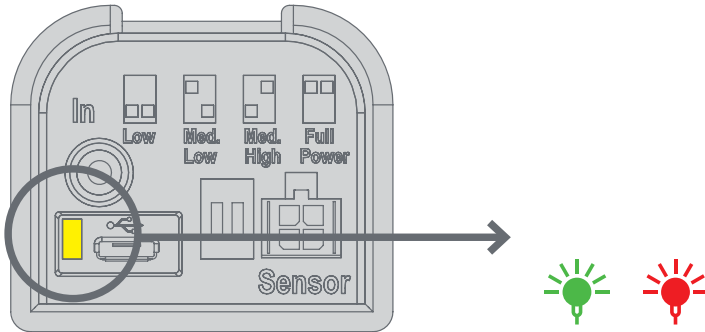
Dimensions pump





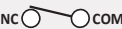
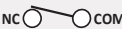
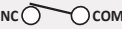


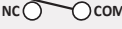
Provided accessories

- 10 Sensor cable
Part No. 4687950
- 11 Power cable
Type: SVT 18AWG*3C Cable
+H05VV-F 3G 0.75mm²
Part No. 3004139
- 12 Alarm cable
Part No. 3004166
- 13 Suction tube
Part No. 3004034
- 14 Star tube and Stop-Siphon device
Part No. 3004065
- 15 Factory installed fuse /
Part No. 3004180
- 16 Vent tube
Part No. 3004033
- 17 Cable ties, 3 pcs.
- 18 Combi-Sen
Part No. 3004113

LED alarm relay indications











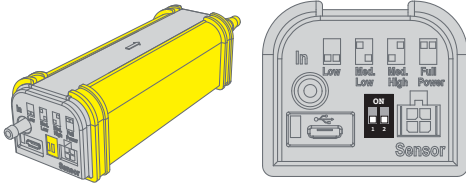
LED alarm relay operation table

		 (normally closed)	 (normally open)
Pump status	Condensate level	Default operation	Peripheral Mode
Not powered	N/A		
Powered	Below alarm level		
Powered	Alarm-activated		

* Alarm relay operation is user configurable see page 9/10 *

LED indications in operation

No power		Pump is miswired or no incoming voltage. Problem with A/C system or alarm is miswired.	
Or	Start up LED sequence (default mode)		Alternating red/ green flashes 5x only then stops and goes to standby mode.
	Start up LED sequence (peripheral mode)		Alternating red/ green flashes 5x only then stops and goes to standby mode.
Standby mode - waiting for water		Blinking green continuously.	
Pumping water		Solid green. Running in low, med low, med high, or high power config. normal operation.	
High water level mode		Blinking red. Running above high water level.	
Alarm mode - relay activated		Solid red. Pump cannot keep up with water input. To prevent water overflow break power to A/C until water level reduces.	
Reconfigure code		Pump has had 3 extra long run cycles, reconfigure dip- switches for more capacity.	



Factory default



low
up to 18K Btu/h
(5.3kW)



medium low
up to 42K Btu/h
(12kW)



medium high
up to 72K Btu/h
(21.1kW)



high
up to 120K Btu/h
(35kW)



Ratings for air conditioning units

The rating of the condensate pump has to be adjusted according to the power of the conditioning unit.

Transport and storage

Transport

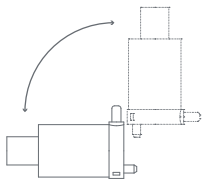
Inspect the Combi for any potential transportation damage. Any obvious damage should be reported to the vendor immediately.

Storage

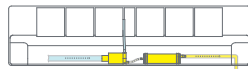
- Storage temperature: -20 °C to +60 °C
- Humidity: 0 to 90% relative humidity (no condensation)

Commissioning

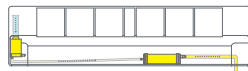
Application



Water sensor can be used horizontally or vertically.



Water sensor and pump in the AC unit next to each other



Water sensor vertical and pump in the AC unit

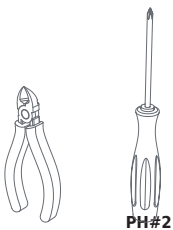


Water sensor in the AC unit, pump in the ceiling

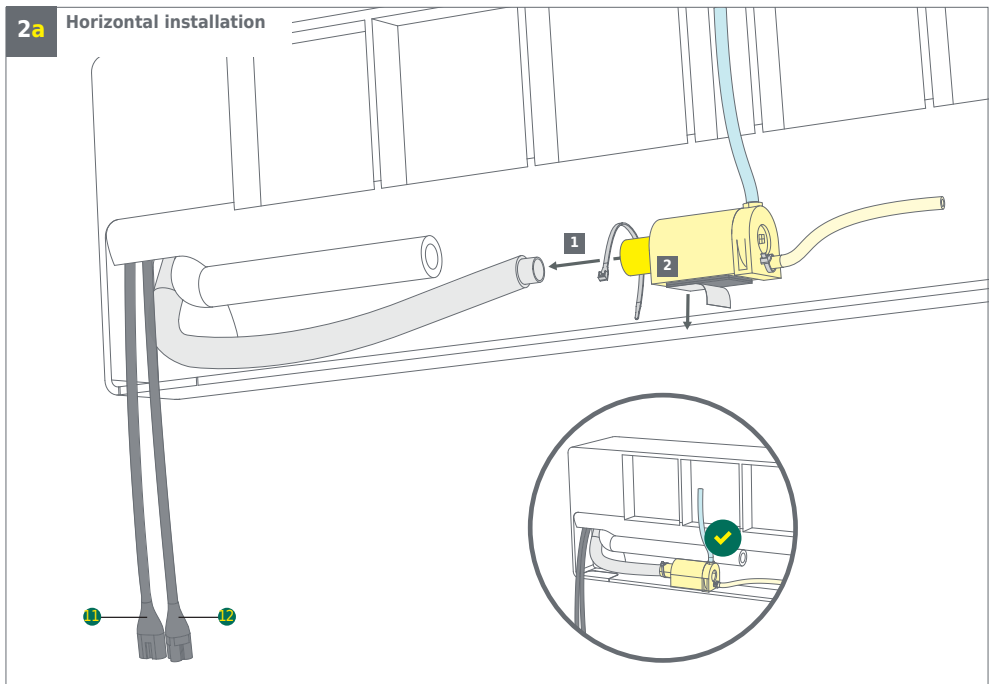
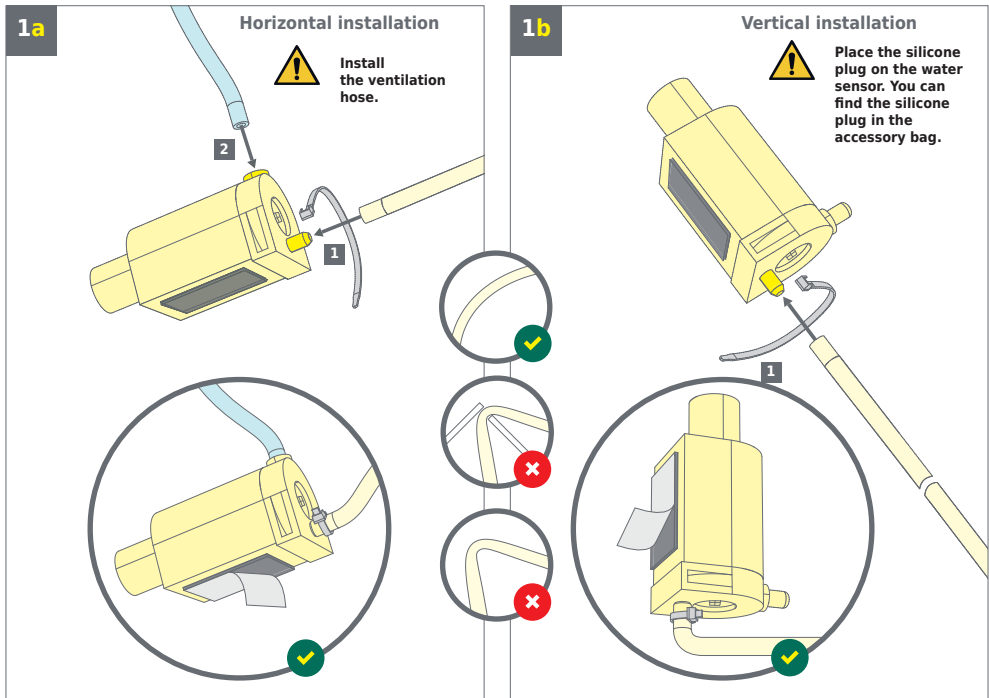


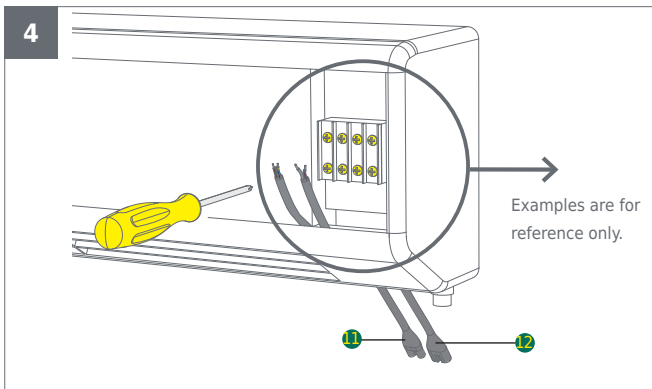
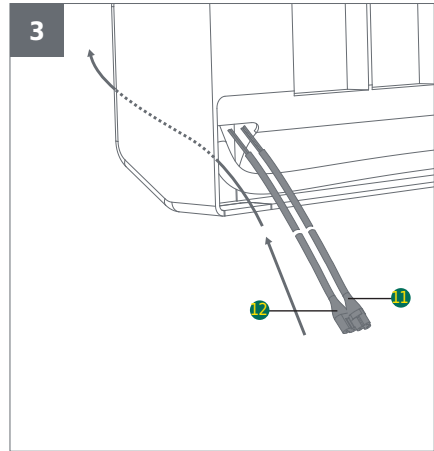
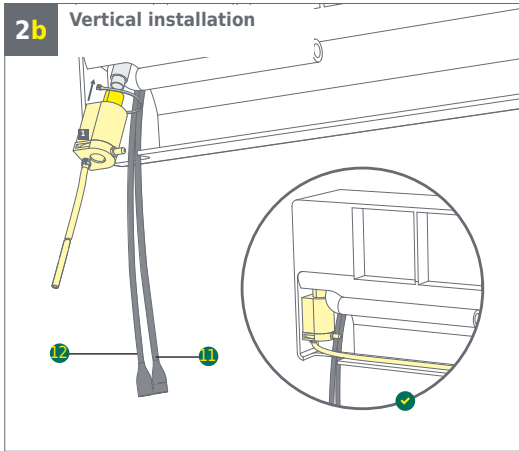
Water sensor inside the AC unit and pump outside the unit

Tools needed



PH#2





⚡ WARNING:
Disconnect all electrical power before starting installation, maintenance, or service work.

⚠ Installations must only be carried out by qualified personnel.

⚠ Plug connections have to be completely dry.

⚡ INPUT POWER:
100-240V, 50/60Hz, 2.5A (Max)

⚠ The alarm relay fuse must be rated for the specific application and of the HRC type, 5 x 20mm 250 VAC, 6.3A (Max)

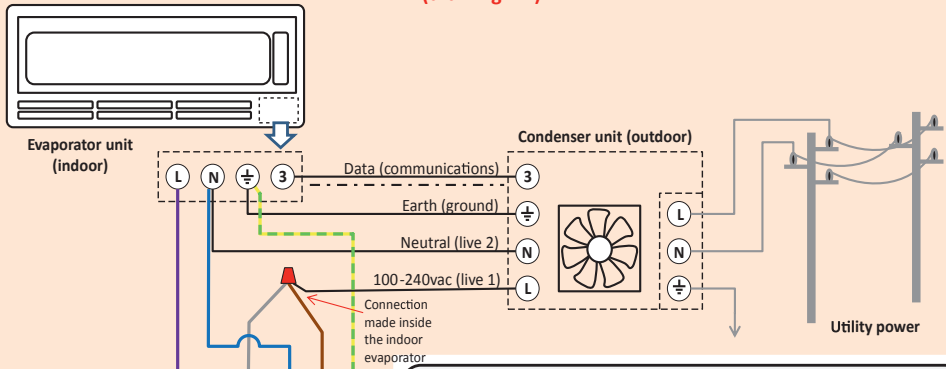
⚠ This appliance incorporates an earth connection for functional purposes only

⚠ Please note that some air conditioners are equipped with components that generate high-frequency electromagnetic field, such as an air purifier, which may interfere with the digital water sensor. It is recommended to place the sensor as far as possible from such a device and to check the operation of the condensate pump once the air conditioner is turned on.

If this is not possible, we recommend using the COMBI-SHIELD, the sensor protection against electronic interferences. See also "Replacement parts and accessories" section.

Below are examples of how REFCO pumps can be installed. For reference only.

**When indoor evaporator unit is powered from the outdoor condenser unit
(drawing # 1)**



Alarm relay operation table

Power up LED flash sequence		Or	
Pump status	Condensate level	default operation	Peripheral mode
Unpowered (or pump failure)	n/a	NC — COM	NC — COM
Powered	Below alarm level	NC — COM	NC — COM
Powered	Alarm activated	NC — COM	NC — COM

To change alarm relay operation

1. Unplug pump
2. Move dip-switch positions to
3. Plug pump in
4. Wait for one green LED blink
5. Move dip-switch positions to
6. Wait for one red LED blink
7. Reset dip-switch positions to
8. Wait for one green LED blink
9. Unplug pump
10. Set the dip-switches back to the desired capacity configuration. (Low, medium-low, medium-high, high)
11. Plug pump in and check that power up LED sequence matches the desired alarm relay operation
12. Done!

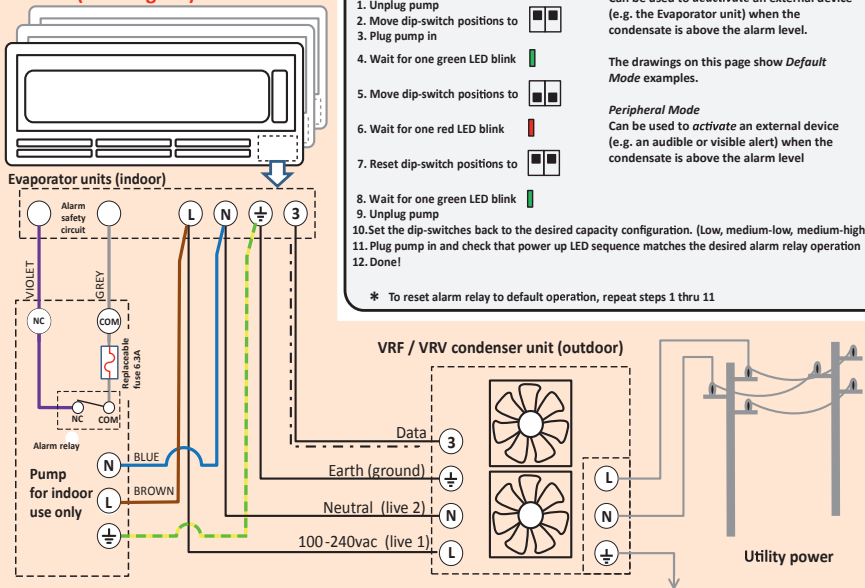
Default Mode
Can be used to deactivate an external device (e.g. the Evaporator unit) when the condensate is above the alarm level.

The drawings on this page show Default Mode examples.

Peripheral Mode
Can be used to activate an external device (e.g. an audible or visible alert) when the condensate is above the alarm level

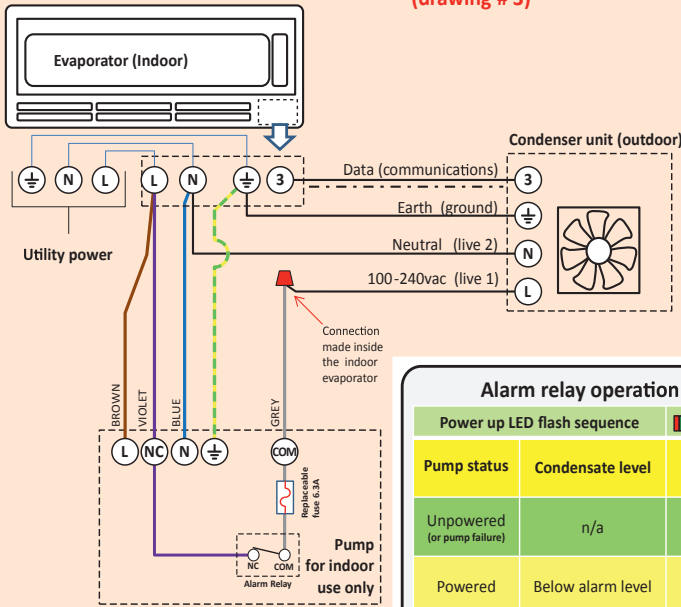
*** To reset alarm relay to default operation, repeat steps 1 thru 11**

**When multi-split system is installed
(drawing # 2)**



Below are examples of how REFCO pumps can be installed. For reference only.

**When outdoor condenser is powered from the indoor evaporator unit
(drawing # 3)**



Alarm relay operation table		Or	
Power up LED flash sequence			
Pump status	Condensate level	default operation	Peripheral mode
Unpowered (or pump failure)	n/a		
Powered	Below alarm level		
Powered	Alarm activated		

To change alarm relay operation

- Unplug pump
- Move dip-switch positions to
- Plug pump in
- Wait for one green LED blink
- Move dip-switch positions to
- Wait for one red LED blink
- Reset dip-switch positions to
- Wait for one green LED blink
- Unplug pump
- Set the dip-switches back to the desired capacity configuration. (Low, medium-low, medium-high, high)
- Plug pump in and check that power up LED sequence matches the desired alarm relay operation
- Done!

Default Mode
Can be used to deactivate an external device (e.g. the Evaporator unit) when the condensate is above the alarm level.

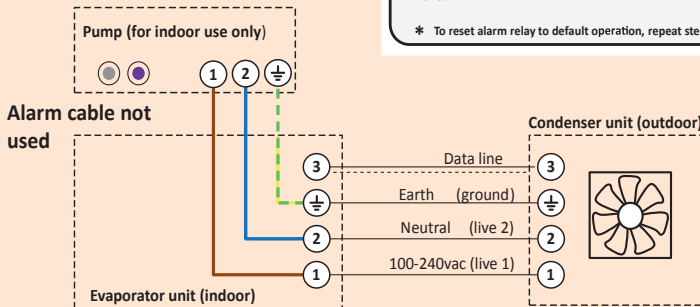
The drawings on this page show *Default Mode* examples.

Peripheral Mode
Can be used to activate an external device (e.g. an audible or visible alert) when the condensate is above the alarm level

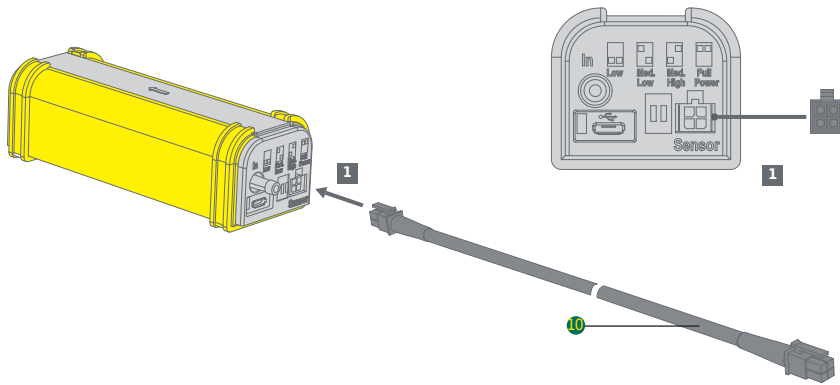
* To reset alarm relay to default operation, repeat steps 1 thru 11

**Power only with no alarm circuit
(drawing # 4)**

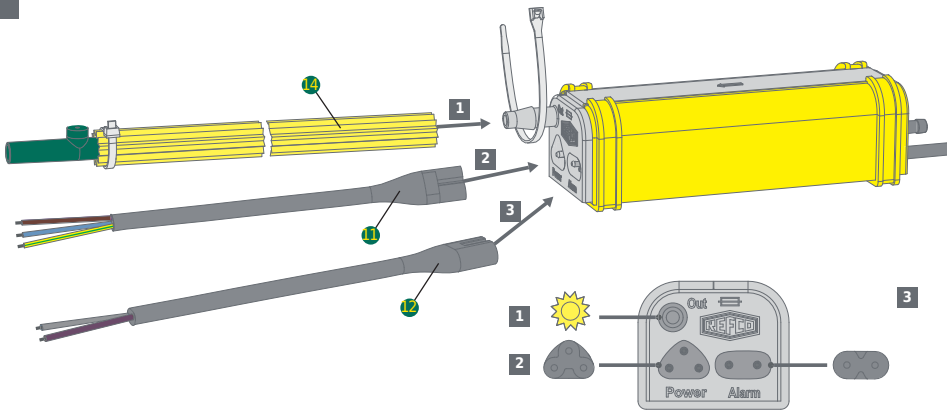
Not recommended: Water damage can occur if drain line becomes kinked, pinched or plugged. Water damage can occur if pump fails.



5



6



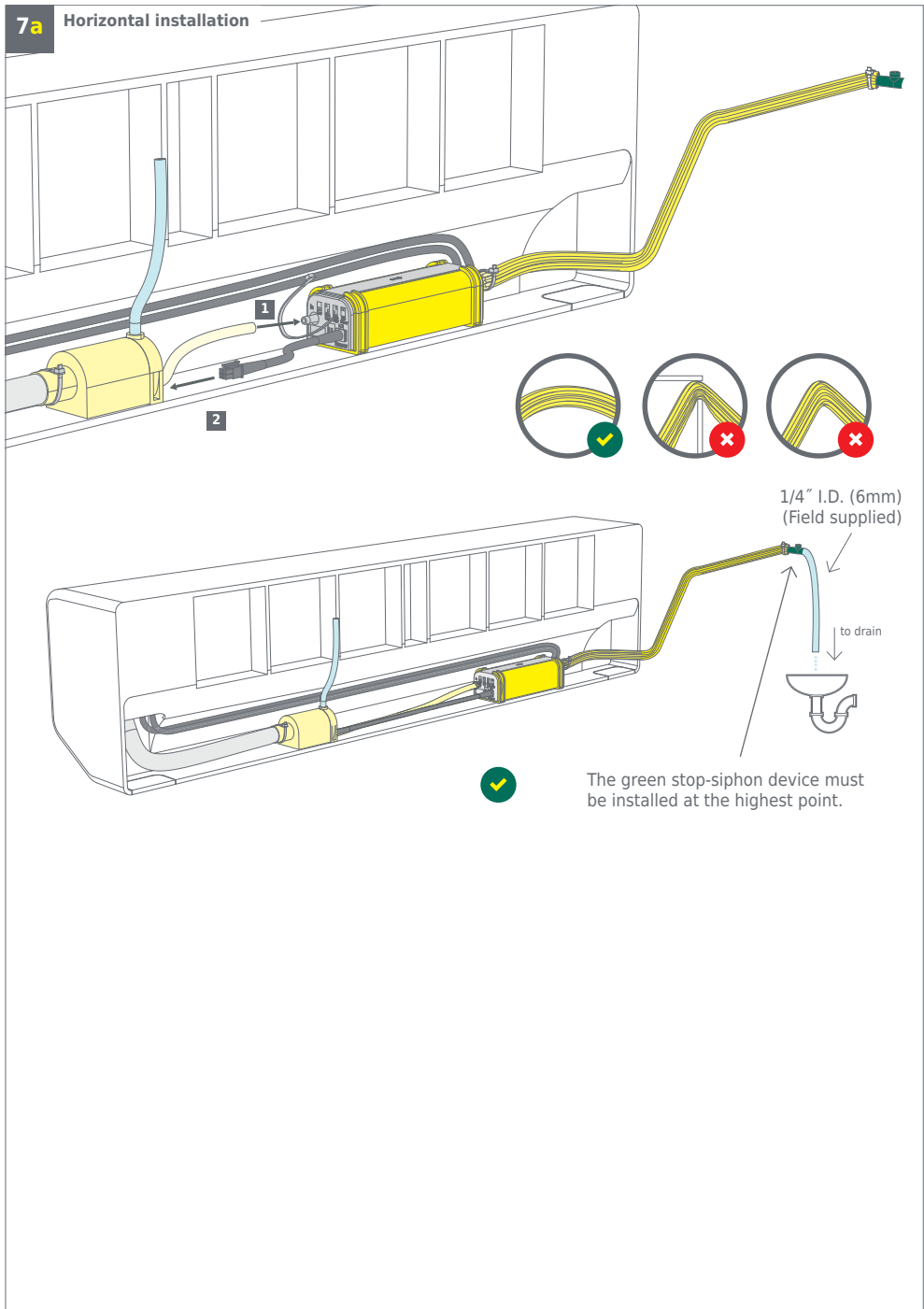
Power cable 11 must not be entered with a tensile load.



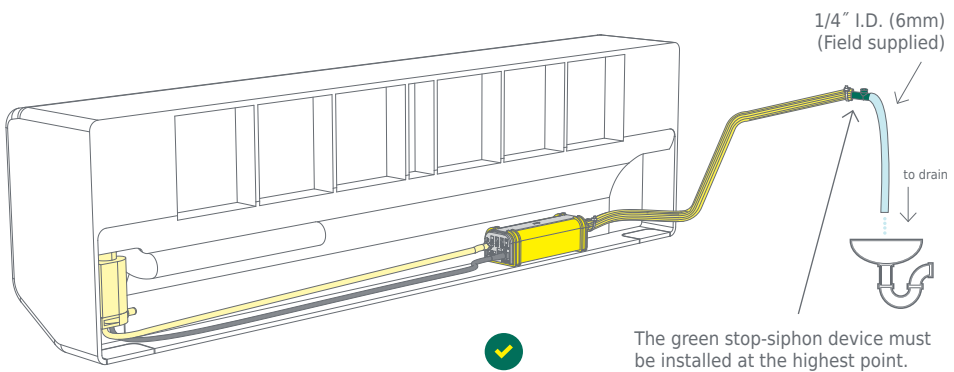
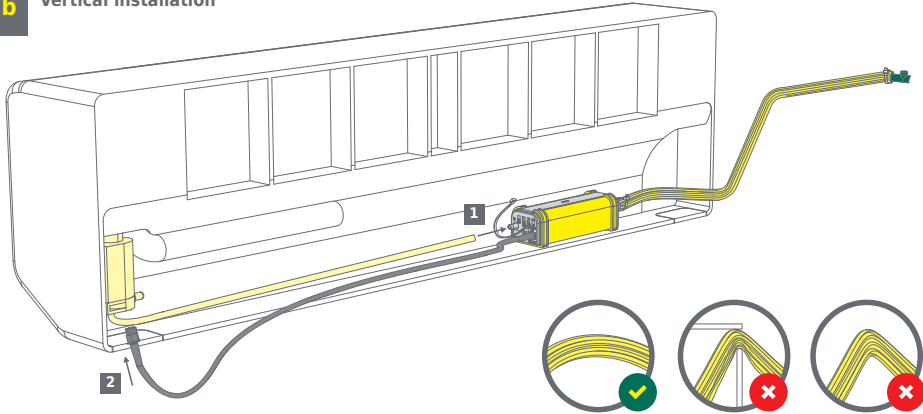
Alarm cable 12 and power cable must be completely pressed into the jack.



Only use the original power cable 11 and alarm cable 12.



7b Vertical installation



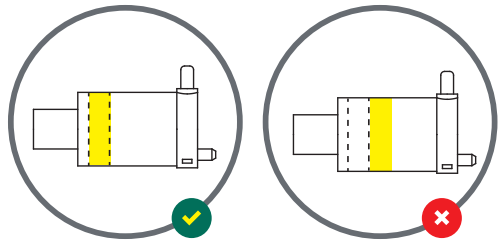
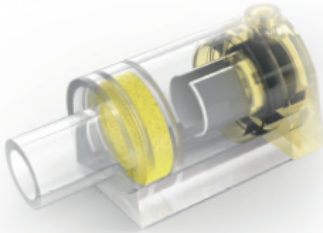
The green stop-siphon device must be installed at the highest point.

Maintenance

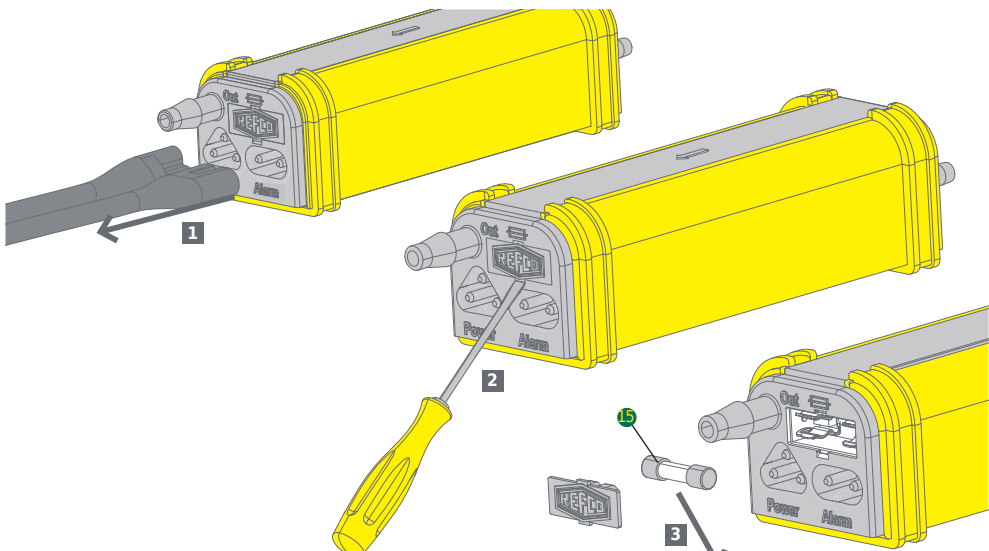
Water filter maintenance

Regular cleaning / replacement of the Combi water filter will help to prolong the life of the pump. The sole purpose of the water filter is to prevent foreign debris from entering the pump itself. The time period between filter service can only be determined from the specific environment in which the pump is installed. We recommend cleaning or replacing the water filter a minimum of every 12 months. However, when installed in environments with high dust, smoke, cooking oils or the possibility of algae growth it is recommended to clean or replace the filter every 3 months.

To clean / replace the water filter, simply remove it from the water sensor body and thoroughly wash with cold water and replace **in between the two** interior sensor body retaining flanges as shown below.



Change alarm fuse



WARNING:
Disconnect all electrical power before starting installation, maintenance, or service work.



The alarm relay fuse must be rated for the specific application and of the HRC type, 5 x 20 mm 250VAC, 6.3A (MAX)



Installations must only be carried out by qualified personnel.

Return and disposal

At the end of useful life of the condensate pump send the product to the separate collection for electric and electronic devices. (According to local regulations)

Troubleshooting

Fault	Correction
No LED lights	Check for incoming voltage. The blue and brown wires are for power.
Pump runs constantly	<p>Check filter placement. The water filter should not touch the digital sensor.</p> <p>Check the digital sensor for dirt, mold or debris. Clean with distilled water. If the result is unsatisfactory, it should be cleaned with an alcohol-based liquid.</p> <p>Check all tubing connections and ensure they are firmly pressed on the connection barbs and secured using cable ties. Check the entire drain line for clogs, kinks or the tube being pinched.</p> <p>If the pump is running constantly and water is flowing from the end of the drain line then you need to change the dip-switch power settings to increase the pump's capacity. The system has too much water or lift for the pump's current power setting.</p>
A/C unit is off	<p>Check the pump LED status light. If it's solid red (not blinking) AND the alarm wiring is connected properly, then the pump alarm relay is intentionally stopping the A/C unit from running. This prevents water overflow and possible water damage. This is the correct function of a condensate pump alarm relay.</p> <p>If the alarm wiring has been used, check the HRC alarm fuse for continuity using a multimeter and replace it if necessary. Glass fuses can be inspected visually.</p> <p>If the alarm wiring has been used, check that the pump is in Default Mode.</p> <p>If the alarm wiring has been used and the wiring is correct, check the status LED: if it is OFF, with no LED lights at all, then there is a fault either with the power main supply to the pump or with the pump itself. During alarm status the pump itself will continue to run to decrease the water level even when the A/C unit is not running. Once the water level is low enough, the pump will automatically reset the alarm relay to re-connect power back to the A/C unit. Please note: Many outdoor A/C units have a 5 min. time delay before they turn on the compressor and resume normal cooling operation.</p>
Air conditioner turns off the pump (the pump switches off once the air conditioner turns on):	<p>Check whether the air conditioner is equipped with an air purifier (ionizer) or other component that may generate high-frequency electromagnetic field. If the water sensor is located nearby, change the location of the sensor as far as possible from the potential source of interference. For example, if the ionizer is on the left side of the air conditioner, move the sensor as far as possible to the right. Then make sure that the pump operates without interference once the air conditioner is turned on.</p>
Alarm is activated	<p>If the alarm is activated (LED is solid red), the pump has too much incoming water for it to keep up. Once the water level gets too high on the digital sensor it will trip the alarm relay and stop power to the A/C system. (Only if the alarm wiring is used). The drain line could be blocked, kinked or pinched. You may have incorrect capacity settings on the pump relative to the capacity of the A/C unit and or a high lift vertical run.</p>
Water is dripping	<p>Check to ensure the alarm cable is correctly installed according to the appropriate wiring diagrams. Please note: There are different diagrams according to different types of A/C systems.</p> <p>If the alarm is not used and the drain line gets blocked, kinked or clogged, the pump can overflow. This is why you should always use the alarm function.</p> <p>Check all your hose connections. If you have a high head pressure (long vertical run), the water pressure can blow a hose off its barb. This is why you should always use the factory supplied cable ties.</p>
Pump is noisy	<p>Check the filter placement. If the water filter is touching the digital sensor, the digital sensor may believe it is water and activate the pump causing it to run dry when it should not be running at all. Clean the digital sensor and the filter with water.</p> <p>Configure pump capacity correctly according to the A/C capacity and lift rise and run of the drain line. (See dip-switch settings in installation instructions).</p>
Slurping or gurgling	<p>Check for and correct a siphon in the drain line. If the drain line extends below the level of the pump, when the pump shuts down, the weight of the water remaining in the drain line will create a siphon effect which will suck water away from the pump causing the pump to start and run dry until reprimed with water. This can cause slurping and gurgling noises. Correctly install your drain line to prevent a siphon from occurring.</p>
LED lights flash	<p>Immediately on initial power-up the pumps will always have a LED start sequence 5x and then go into standby (blinking green). This is normal operation. This LED start sequence is the only indication of whether the alarm is currently configured for Default Mode or Peripheral Mode. The alarm relay is user configurable and can be changed back and forth. (See wiring diagram instructions).</p>
3 red & 3 green LED flashes	<p>This is the pump reconfigure code. The pump is asking for help! If it has had 3 consecutive long run cycles where it went from standby mode all the way into alarm mode, it is asking to be re-configured for more power as its current dip-switch power settings are too low for the incoming water flow, lift or both. Give it more power by reconfiguring the dip-switch settings. This reconfigure code will only appear after 3 consecutive long run cycles that went into alarm mode.</p>

Replacement parts and accessories



HSG-4065/4
Stop-Siphon Device, 4 pcs.
Part No 3004065



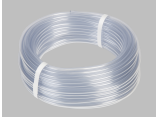
FIL-4063/4
Filter, 4 pcs.
Part No 3004063



FUS-4180/10
Fuses 5x20 6.3A, 10 pcs.
Part No 3004180



KIT-4087
Star tube with Stop-Siphon device
Part No 3004087



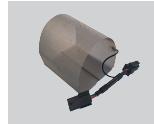
PVC-TUBE
Plastic tube 6 mm (1/4"),
minimum 30 meters
Part No 4679160



COMBI-SEN
Spare sensor for COMBI
Part No 3004113



IN-LINE FILTER
Filter for condensate water
Part No 4678597

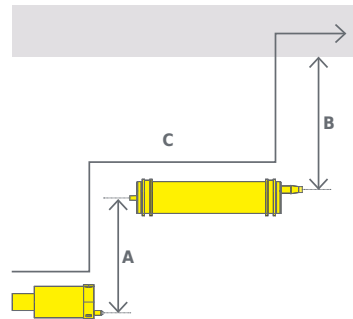


COMBI-SHIELD
Sensor protection against
electronic interference
Part No 3004187

Appendix

Corrected flow based on installation L/Hr. 1/4" (6mm) discharge tube @ full power

A	B	C				
		Total Length (Run) Meters				
Suction (lift)	Discharge (Rise) m	5	10	15	20	30
0.0 m	0	42	42	40	40	40
	1 (3.3ft.)	42	42	40	40	36
	3 (9.9 ft.)	37	37	35	35	34
	5 (16.4 ft.)	31	30	29	29	29
	10 (32.8 ft.)	17	16	15	14	14
	15 (49.2 ft.)	9	9	9	9	8
1.0 m (3.3 Ft)	20 (65.6 ft.)				8	7
	0	42	42	42	40	40
	1 (3.3ft.)	42	42	42	40	39
	3 (9.9 ft.)	36	36	35	35	34
	5 (16.4 ft.)	30	30	29	29	29
	10 (32.8 ft.)	16	16	16	16	15
2.0 m (6.6 Ft.)	15 (49.2 ft.)	10	10	10	10	10
	20 (65.6 ft.)				7	9
	0	35	35	35	35	34
	1 (3.3ft.)	33	33	33	32	31
	3 (9.9 ft.)	33	32	31	31	30
	5 (16.4 ft.)	27	26	26	26	25
3.0 m (9.9 Ft.)	10 (32.8 ft.)	17	17	16	16	15
	15 (49.2 ft.)	10	10	10	9	9
	20 (65.6 ft.)				5	5
	0	30	30	30	30	29
	1 (3.3ft.)	28	28	28	28	27
	3 (9.9 ft.)	28	28	28	27	26
15 (49.2 ft.)	5 (16.4 ft.)	23	23	23	23	22
	10 (32.8 ft.)	15	15	15	15	15
	7	7	6	5	5	



Conversion formula for US Gallons/Hr:

_____ L/Hr. x 0.264 = _____ G/Hr.

Contents

Einleitung	17
Allgemeines	17
Wichtige Sicherheitshinweise	17
Technische Daten	18
Produktbeschreibung	19
Transport und Lagerung	21
Inbetriebnahme	21
Wartung	29
Rücksendung und Entsorgung	29
Problembehebung	30
Ersatzteile und Zubehör	31

Einleitung

Wir gratulieren Ihnen zum Kauf unserer neuen Kondensatpumpe Combi. Die Combi wurde völlig neu entwickelt. Dabei wurden bewährte Eigenschaften beibehalten und viele andere Funktionen weiterentwickelt. Ihr digitaler Wassersensor, der universelle Spannungsbereich und die individuell konfigurierbare Durchflussleistung machen sie zur stärksten und leisesten Kondensatpumpe für Klimaanlageanlagen, die derzeit auf dem Markt erhältlich ist.

Allgemeines

REFCO Produkte werden speziell entwickelt und hergestellt für die Handhabung durch ausgebildete Frigoristen und Kälte-Techniker. REFCO weist ausdrücklich darauf hin, die Produkte ausschliesslich an professionell ausgebildete Fachleute zu verkaufen.

Diese Bedienungsanleitung enthält wichtige Informationen zum Umgang mit der Combi. Voraussetzung für den sicheren Betrieb des Geräts ist die Einhaltung aller Sicherheits- und Betriebshinweise.

- Halten Sie zudem die für den Einsatzbereich der Combi geltenden örtlichen Sicherheitsvorschriften sowie die allgemeinen Sicherheitsbestimmungen ein.
- Die Betriebsanleitung ist Bestandteil des Produkts und muss für das Fachpersonal jederzeit zugänglich in unmittelbarer Nähe der Combi aufbewahrt werden.
- Das Fachpersonal muss die Betriebsanleitung vor Inbetriebnahme des Geräts sorgfältig durchgelesen und verstanden haben.
- Der Hersteller haftet nicht für Schäden durch bestimmungswidrige Verwendung. Nichtbeachten dieser Betriebsanleitung, Einsatz ungenügend qualifizierten Fachpersonals sowie eigenmächtige Veränderungen der Combi.
- Es gelten die allgemeinen Geschäftsbedingungen in den Verkaufsunterlagen.

Symbole und Schreibkonventionen



WARNUNG/VORSICHT

Es müssen bestimmte Sicherheitshinweise befolgt werden bzw. es ist Vorsicht vor einer potenziellen Gefahr geboten.



GEFÄHRLICHE SPANNUNG

Weist auf Gefahren durch gefährliche Spannungen hin.



Bitte lesen Sie vor Inbetriebnahme alle Sicherheits- und Installationshinweise.



Elektro- und Elektronik-Altergeräte (WEEE)

Diese Pumpe darf nicht im Hausmüll entsorgt werden.



CE-konform / UKCA-konform

Diese Kennzeichnung bestätigt die Einhaltung von Gesundheits-, Sicherheits- und Umweltschutzstandards für Produkte.



RoHS-konform



Regulatory Compliance Mark (RCM)

Erfüllt die in Australien und Neuseeland geltenden Anforderungen an die elektrische Sicherheit.



ETL-zugelassene Komponente

Dieses Produkt wurde geprüft und erfüllt die in den USA und in Kanada geltenden veröffentlichten Standards.

Sicherheitshinweise



Bitte lesen Sie vor Inbetriebnahme alle Sicherheits- und Installationshinweise. Zur Vermeidung jeglicher Gefahren darf die Installation des Produkts nur durch technisch geschultes und ausgestattetes Fachpersonal vorgenommen werden. Für die Produktinstallation und elektrischen Anschlüsse ist eine fachliche Ausbildung erforderlich, um eine sichere Installation und den korrekten Betrieb zu gewährleisten.

Dieses Gerät darf nicht von Personen mit körperlichen, geistigen oder sensorischen Beeinträchtigungen oder von im Umgang mit solchen Geräten unerfahrene Personen (einschliesslich Kinder) betrieben werden. Solche Personen dürfen das Gerät nur unter Aufsicht einer verantwortlichen Person, die entsprechende Anleitungen gibt, benutzen.

Achten Sie darauf, dass Kinder nicht mit dem Gerät spielen.

Bewahren Sie diese Anleitung sorgfältig auf.



Nur zur Verwendung im Innenbereich. Dieses elektrische Gerät ist primär für den Einsatz im Innenbereich bestimmt. Nicht tauchfähig.

Die Kondensatpumpe Combi muss gemäss lokalen und regionalen Vorschriften für elektrische Anlagen installiert werden.



WARNUNG: Trennen Sie alle Verbindungen zum Stromnetz, bevor Sie mit der Installation, Wartung oder mit Servicearbeiten beginnen.



WARNUNG: Trennen Sie die Verbindung zur Stromversorgung, bevor Sie die interne Sicherung herausnehmen und prüfen.



VORSICHT: Installieren Sie die REFCO Kondensatpumpe nicht, wenn diese Zeichen einer Beschädigung aufweist.



WARNUNG: Prüfen Sie das Netz- und Alarmkabel der REFCO Kondensatpumpe vor, während und regelmässig nach der Installation auf Beschädigungen. Sollte das Netz- oder Alarmkabel beschädigt sein, trennen Sie die Kondensatpumpe vom Stromnetz. Wenden Sie sich für ein Ersatzgerät an REFCO.

Der kombinierte Netz-/Alarmkabel-Ausgang der Combi ist nicht austauschbar. Falls dieser beschädigt ist, muss die ganze Pumpe ausgetauscht werden.



WARNUNG: Die Kabel der REFCO Kondensatpumpe dürfen nicht abgeschnitten werden und sollten so verlegt werden, dass sie während und nach der Installation nicht beschädigt werden können.

CAUTION: Alle Schlauchverbindungen müssen auf Schlauchtüllen mit selbstsichernden Kabelbindern befestigt werden.

VERWENDEN SIE KEIN Werkzeug, um die Schläuche anzuschliessen.

NICHT IN BETRIEB NEHMEN bei einer Umgebungstemperatur von unter 5 °C (41 °F).

NICHT IN BETRIEB NEHMEN bei einer Wasserzulauftemperatur von über 40 °C (104 °F).

VORSICHT: Vermeiden Sie jeglichen Kontakt der Kondensatpumpe mit Chemikalien. Nehmen Sie die Pumpe und den Wassersensor vor Anwendung von Reinigungsflüssigkeiten oder anderen Chemikalien aus dem System. Spülen Sie die Verdampferschlangen mit Wasser ab, bevor Sie die Kondensatpumpe und den Was-

sensensor wieder einsetzen. Stellen Sie vor dem Wiedereinsetzen sicher, dass der Verdampfer frei von Chemikalien ist.

VORSICHT: Dieses Gerät verfügt über einen Erdungsanschluss, der nur zu Funktionszwecken dient.



Beim Anschliessen des Netzkabels **ⓘ** darf keine Zugbelastung entstehen.










Stecken Sie das Alarmkabel **ⓘ** und das Netzkabel vollständig in die Buchse ein.



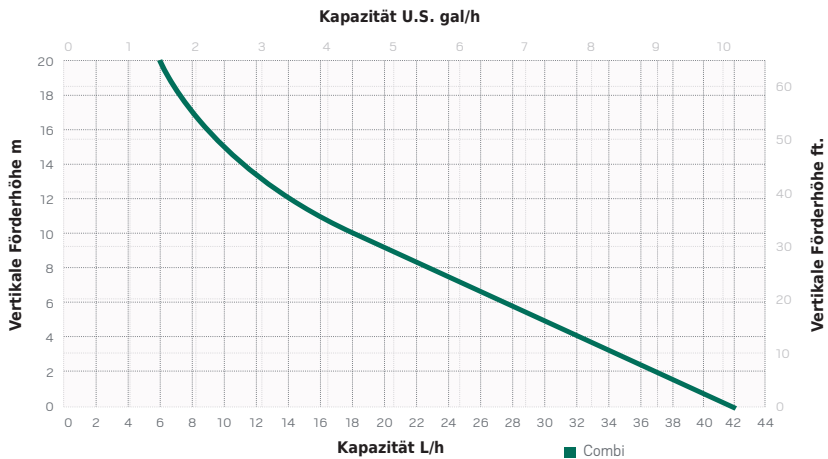
Verwenden Sie nur das Original-Netzkabel **ⓘ** und -Alarmkabel **ⓘ**.

Technische Daten

Max. Durchflussleistung:	42 l/Hr. (11 GPH)
Max. Saugleistung:	3 m (9,80 ft) selbstansaugend
Max. Förderhöhe:	20 m (65.60 ft.)
Max. horizontaler Förderweg:	100 m (330 ft) bei 0 Förderhöhe und 0 Saughöhe
Geräuschentwicklung:	20dBA bei 1 m DIN EN ISO 3741:2011 / DIN EN ISO 3744:2010
Spannung:	Universelle 100 ~ 240 VAC 50/60 Hz Auto-Sensing Stromversorgung
Leistung:	8 W im Maximalbetrieb bei 110 V
Alarmrelais:	7 Ampere Kontakte mit integrierter austauschbarer 6.3A Sicherung 5 x 20 mm
Gewicht:	1'000 g (2,2 lb.)
Entleerungs-Sternschlauch:	6,25 mm Innendurchmesser (1/4") x 1 m (3,3 ft)
Verpackung:	250 x 340 x 54 mm (9,9 x 13,4 x 2,1 Zoll)
Grosspackung:	10 Stück; Abmessungen: 590 x 265 x 365 mm (23,2 x 10,4 x 14,4 Zoll)
Farbe:	RAL #7040 Grau und RAL #1023 Gelb
Schutzklasse:	Vollständig vergossen, IP-44
Betriebstemperatur:	Umgebung 5 °C bis 40 °C (41 °F bis 104 °F) / Wasser 5 °C bis 40 °C (41 °F bis 104 °F)
Konformität:	Entspricht UL 778, CSA C22.2 #108 und UL 2043 (plenum rated)

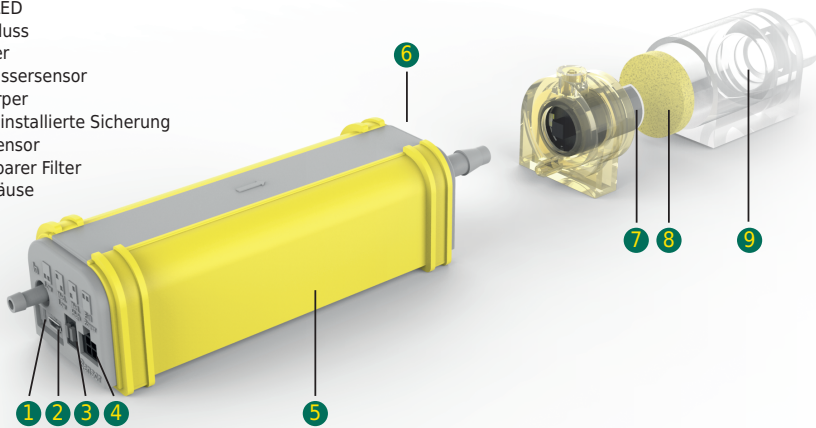








Pumpenleistung

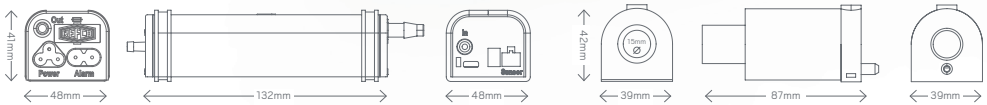


Produktbeschreibung

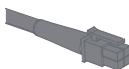
- 1 Diagnose LED
- 2 USB-Anschluss
- 3 DIP-Schalter
- 4 Stecker Wassersensor
- 5 Pumpenkörper
- 6 Werkseitig installierte Sicherung
- 7 Digitaler Sensor
- 8 Austauschbarer Filter
- 9 Sensorgehäuse



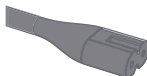
Abmessungen der Pumpe



Mitgeliefertes Zubehör

10 
 Sensorkabel
 Bestell-Nr. 4687950

11 
 Stromversorgungskabel
 Type: SVT 18AWG*3C Cable
 +H05VV-F 3G 0.75mm²
 Bestell-Nr. 3004139

12 
 Alarmkabel
 Bestell-Nr. 3004166

13 
 Saugschlauch
 Bestell-Nr. 3004034

14 
 Sternschlauch und
 Siphon-Stopp-Vorrichtung
 Bestell-Nr. 3004065

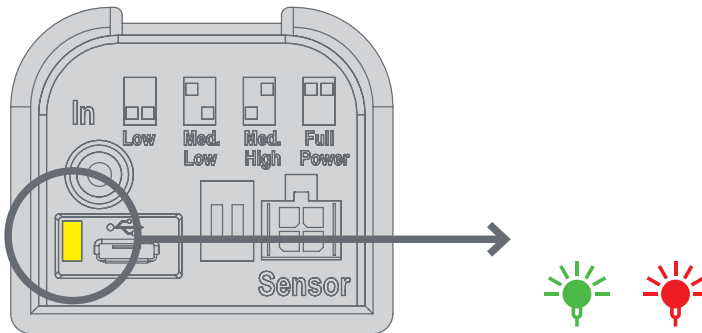
15 
 Werkseitig installierte Sicherung,
 5x20mm
 Bestell-Nr. 3004180

16 
 Lüftungsschlauch
 Bestell-Nr. 3004033

17 
 Kabelbinder, 3 Stk.

18 
 Combi-Sen
 Bestell-Nr. 3004113

Signale des LED-Alarmrelais



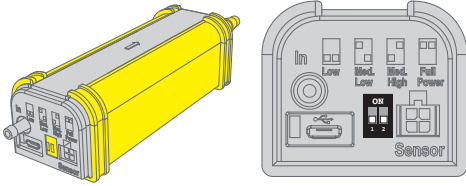
LED-Alarmrelais-Betriebstabelle

		(normalerweise geschlossen)	(normalerweise offen)
Pumpenstatus	Kondensatlevel	Standard Modus	Peripheriemodus
Nicht angetrieben	N/A	NC COM	NC COM
Angetrieben	Unterhalb der Alarmstufe	NC COM	NC COM
Angetrieben	Alarm aktiviert	NC COM	NC COM

* Der Alarmrelaisbetrieb ist vom Benutzer konfigurierbar siehe Seite 24/25 *

LED-Anzeigen in Betrieb

Keine Energie		Pumpe ist falsch verdrahtet oder keine Eingangsspannung. Das Problem mit dem A / C-System oder Alarm ist falsch verdrahtet.
Oder	Start LED-Sequenz (Standard Modus)	Das abwechselnde Rot / Grün blinkt nur 5x, stoppt dann und wechselt in den Standby-Modus.
	Start LED-Sequenz (Peripheriemodus)	Das abwechselnde Rot / Grün blinkt nur 5x, stoppt dann und wechselt in den Standby-Modus.
Standby Modus - Warten auf Wasser		Blinkt ständig grün.
Wasserpumpen		Einfarbig grün. Läuft in niedriger, mittel-niedriger, mittel-hoher oder hoher Leistung. normale Operation.
Hochwasser-Modus		Rot blinkend. Laufen über hohem Wasserstand.
Alarmmodus - Relais aktiviert		Rot. Die Pumpe kann nicht mit dem Wassereingang mithalten. Um einen Wasserüberlauf zu verhindern, unterbrechen Sie die Stromzufuhr zur Klimaanlage, bis sich der Wasserstand verringert hat.
Code neu konfigurieren		Die Pumpe verfügt über 3 extra lange Laufzyklen und konfiguriert die DIP-Schalter für mehr Kapazität neu.



niedrig
bis zu 18K Btu / h
(5.3kW)



mittel niedrig
bis zu 42K Btu / h
(12kW)



mittelhoch
bis zu 72K Btu / h
(21,1kW)



hoch
bis zu 120K Btu / h
(35kW)



Bewertungen für Klimaanlage

Die Leistung der Kondensatpumpe muss entsprechend der Leistung der Konditionierungseinheit angepasst werden.

Transport und Lagerung

Transport

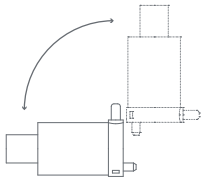
Untersuchen Sie die Combi auf mögliche Transportschäden. Offensichtliche Schäden müssen umgehend dem Händler gemeldet werden.

Lagerung

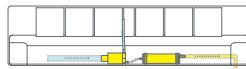
- Lagertemperatur: -20 °C bis +60 °C
- Feuchtigkeit: 0 bis 90% relative Feuchte (keine Betauung)

Inbetriebnahme

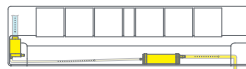
Einrichtung



Wassersensor kann horizontal oder vertikal verwendet werden.



Wassersensor und Pumpe in der AC-Einheit nebeneinander



Wassersensor vertikal und Pumpe in der AC-Einheit

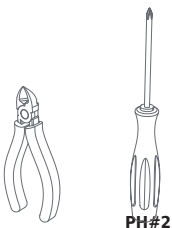


Wassersensor in der Klimaanlage, Pumpe in der Decke

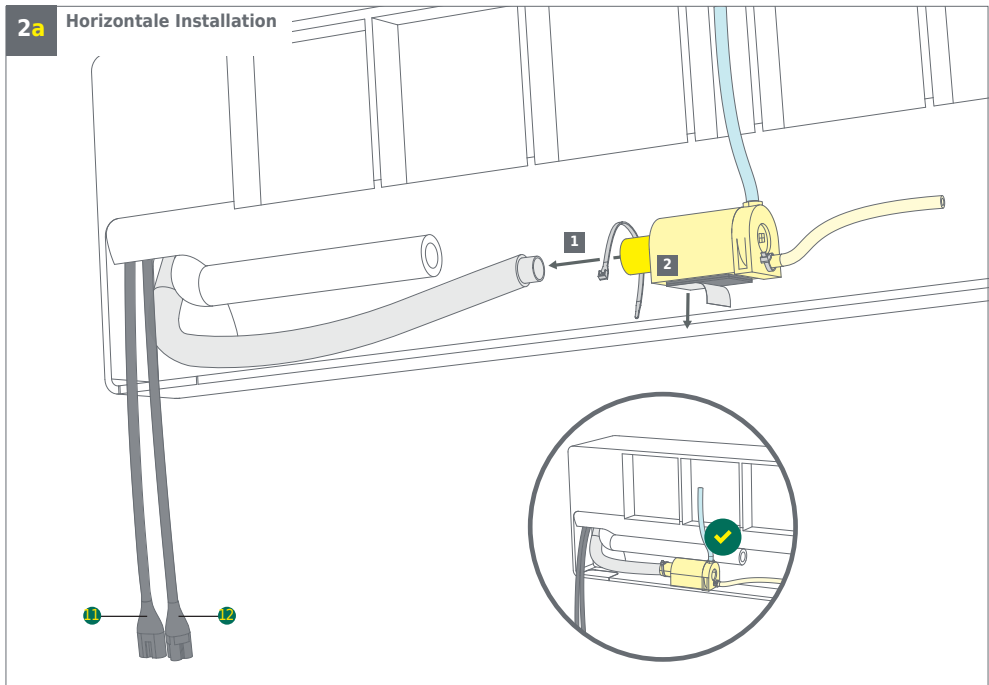
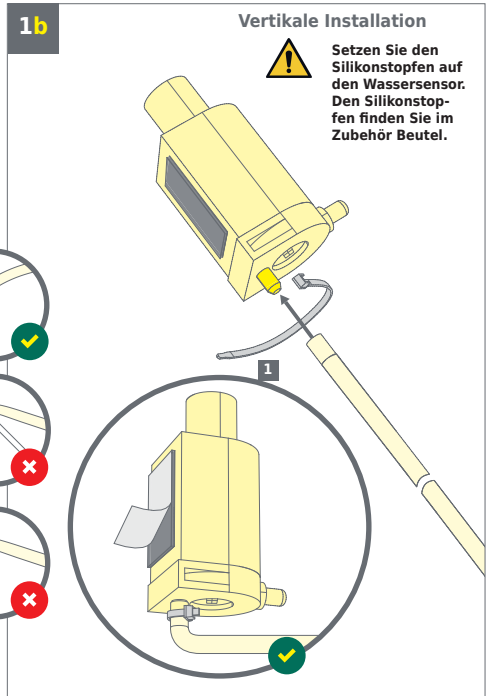
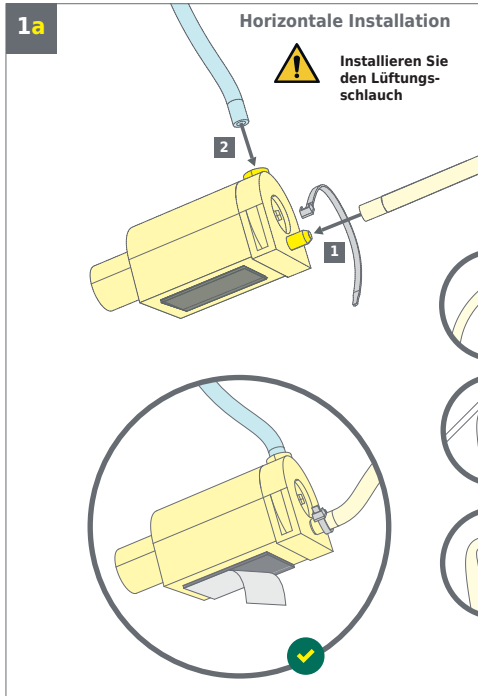


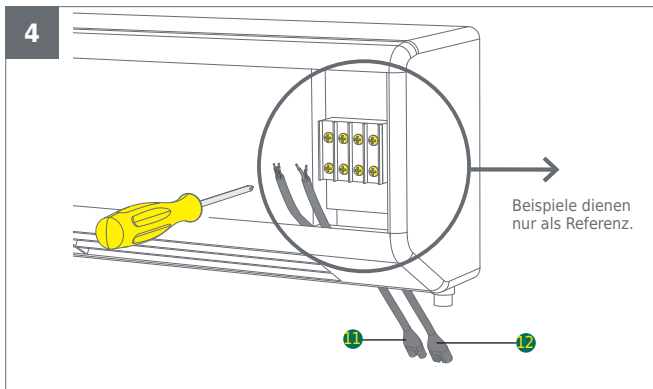
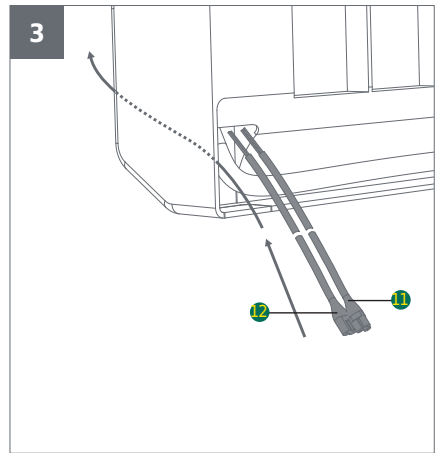
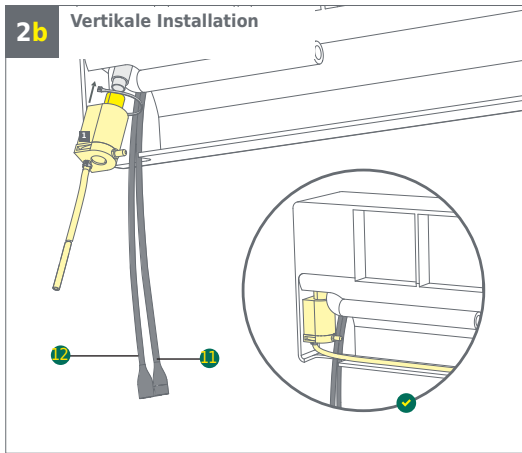
Wassersensor in der AC-Einheit und Pumpe ausserhalb des Geräts

Benötigte Werkzeuge






PH#2








WARNUNG:

-  Trennen Sie alle Verbindungen zum Stromnetz, bevor Sie mit der Installation, Wartung oder mit Servicearbeiten beginnen.
-  Die Installation muss durch Fachpersonal erfolgen.
-  Die Steckverbindungen müssen völlig trocken sein.

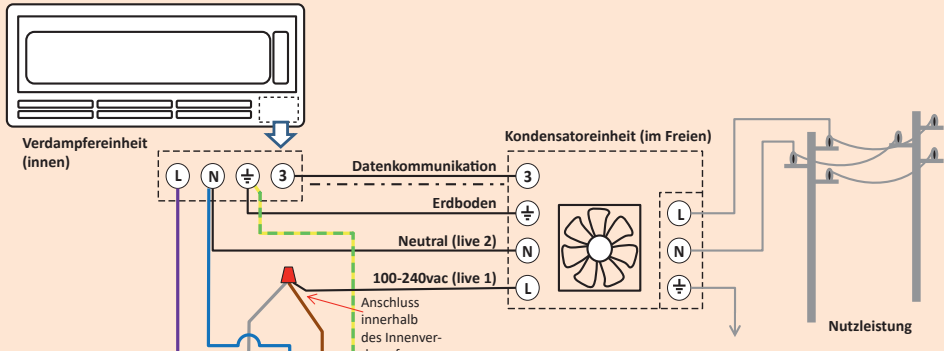
 **EINGANGSLEISTUNG:**
100-240V, 50/60Hz, 2,5A (Max)

-  Die Sicherung des Alarmrelais muss für die jeweilige Anwendung bemessen und vom Typ HRC sein, 5 x 20mm 250 VAC, 6.3A (Max).
-  Dieses Gerät verfügt über einen Erdungsanschluss, der nur zu Funktionszwecken dient.
-  Bitte beachten Sie, dass einige Klimaanlage mit Komponenten ausgestattet sind, die ein hochfrequentes elektromagnetisches Feld erzeugen, wie z. B. ein Luftreiniger, der den digitalen Wassersensor stören kann. Es wird empfohlen, den Sensor so weit wie möglich von einem solchen Gerät entfernt zu platzieren und den Betrieb der Kondensatpumpe zu überprüfen, sobald das Klimagerät eingeschaltet ist.

Sollte dies nicht möglich sein, empfehlen wir den Einsatz des COMBI-SHIELD, der Sensorschutz vor elektronischen Störungen. Siehe auch Ersatzteile und Zubehör.

Im Folgenden finden Sie Beispiele für die Installation von REFCO-Pumpen. Nur als Referenz.

**Wenn die Innenverdampfeinheit von der Aussenkondensatoreinheit versorgt wird
(Zeichnung # 1)**



Alarmlais-Operationstabelle

Einschalt-LED-Blitzsequenz			
Pumpenstatus	Kondensatlevel	Standard Modus	Peripherie-modus
Unpowered (oder Pumpenausfall)	n/a	NC <input type="checkbox"/> COM	NC <input type="checkbox"/> COM
Angetrieben	Unterhalb der Alarmstufe	NC <input type="checkbox"/> COM	NC <input type="checkbox"/> COM
Angetrieben	Alarm aktiviert	NC <input type="checkbox"/> COM	NC <input type="checkbox"/> COM

So ändern Sie den Alarmlaisbetrieb

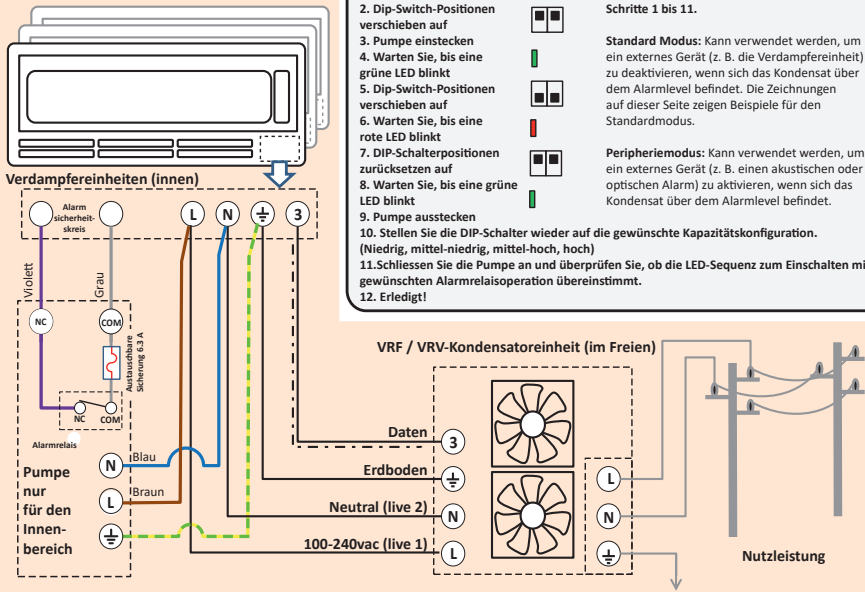
1. Pumpe ausstecken
2. Dip-Switch-Positionen verschieben auf
3. Pumpe einstecken
4. Warten Sie, bis eine grüne LED blinkt
5. Dip-Switch-Positionen verschieben auf
6. Warten Sie, bis eine rote LED blinkt
7. DIP-Schalterpositionen zurücksetzen auf
8. Warten Sie, bis eine grüne LED blinkt
9. Pumpe ausstecken
10. Stellen Sie die DIP-Schalter wieder auf die gewünschte Kapazitätskonfiguration. (Niedrig, mittel-niedrig, mittel-hoch, hoch)
11. Schliessen Sie die Pumpe an und überprüfen Sie, ob die LED-Sequenz zum Einschalten mit der gewünschten Alarmlaisoperation übereinstimmt.
12. Erledigt!

* Um das Alarmlais auf den Standardbetrieb (NC) zurückzusetzen, wiederholen Sie die Schritte 1 bis 11.

Standard Modus: Kann verwendet werden, um ein externes Gerät (z. B. die Verdampfeinheit) zu deaktivieren, wenn sich das Kondensat über dem Alarmlevel befindet. Die Zeichnungen auf dieser Seite zeigen Beispiele für den Standardmodus.

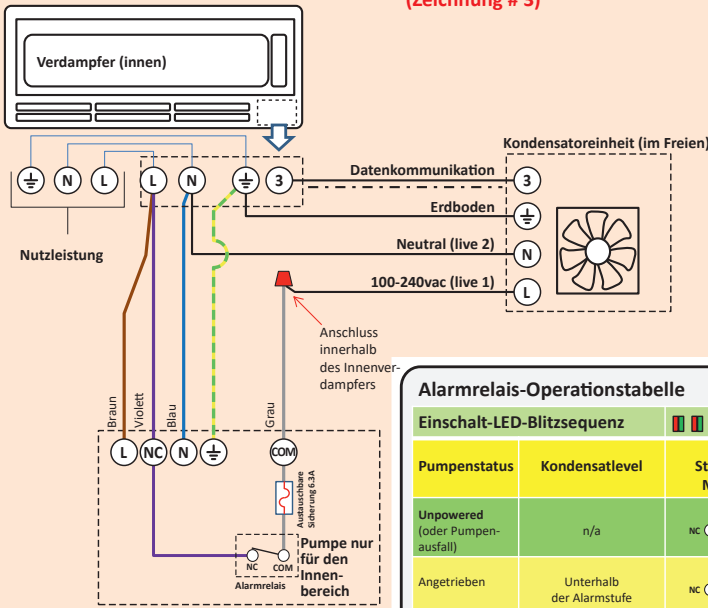
Peripheriemodus: Kann verwendet werden, um ein externes Gerät (z. B. einen akustischen oder optischen Alarm) zu aktivieren, wenn sich das Kondensat über dem Alarmlevel befindet.

**Wenn Multi-Split-System installiert ist
(Zeichnung # 2)**



Im Folgenden finden Sie Beispiele für die Installation von REFCO-Pumpen. Nur als Referenz.

**Wenn der Aussenkondensator von der Innenverdampferinheit versorgt wird
(Zeichnung # 3)**



Alarmrelais-Operationstabelle

Einschalt-LED-Blitzsequenz		[Red][Green][Red][Green][Red][Green]	
Pumpenstatus	Kondensatlevel	Standard Modus	Peripherie-modus
Unpowered (oder Pumpenausfall)	n/a	NC COM	NC COM
Angetrieben	Unterhalb der Alarmstufe	NC COM	NC COM
Angetrieben	Alarm aktiviert	NC COM	NC COM

So ändern Sie den Alarmrelaisbetrieb

1. Pumpe ausstecken
2. Dip-Switch-Positionen verschieben auf
3. Pumpe einstecken
4. Warten Sie, bis eine grüne LED blinkt
5. Dip-Switch-Positionen verschieben auf
6. Warten Sie, bis eine rote LED blinkt
7. DIP-Schalterpositionen zurücksetzen auf
8. Warten Sie, bis eine grüne LED blinkt
9. Pumpe ausstecken
10. Stellen Sie die DIP-Schalter wieder auf die gewünschte Kapazitätskonfiguration. (Niedrig, mittel-niedrig, mittel-hoch, hoch)
11. Schließen Sie die Pumpe an und überprüfen Sie, ob die LED-Sequenz zum Einschalten mit der gewünschten Alarmrelaisoperation übereinstimmt.
12. Erledigt!

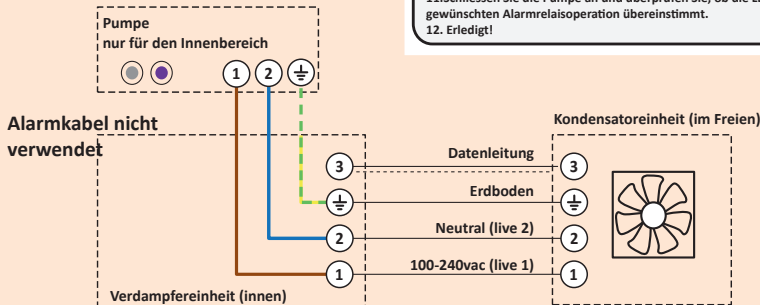
* Um das Alarmrelais auf den Standardbetrieb (NC) zurückzusetzen, wiederholen Sie die Schritte 1 bis 11.

Standard Modus: Kann verwendet werden, um ein externes Gerät (z. B. die Verdampfer Einheit) zu deaktivieren, wenn sich das Kondensat über dem Alarmlevel befindet. Die Zeichnungen auf dieser Seite zeigen Beispiele für den Standardmodus.

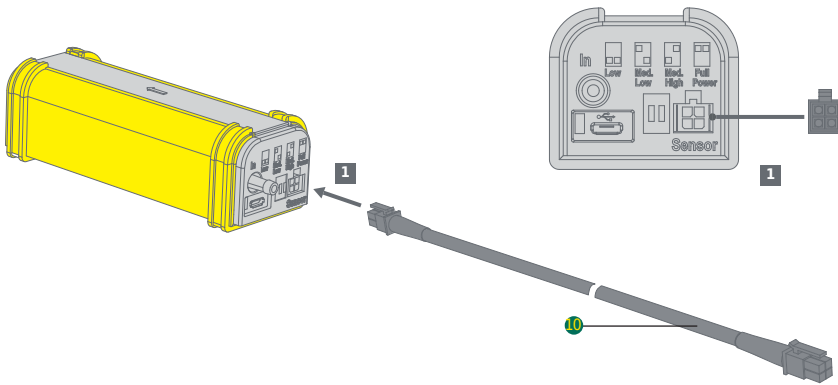
Peripheriemodus: Kann verwendet werden, um ein externes Gerät (z. B. einen akustischen oder optischen Alarm) zu aktivieren, wenn sich das Kondensat über dem Alarmlevel befindet.

Stromversorgung nur ohne Alarmschaltung (Zeichnung # 4)

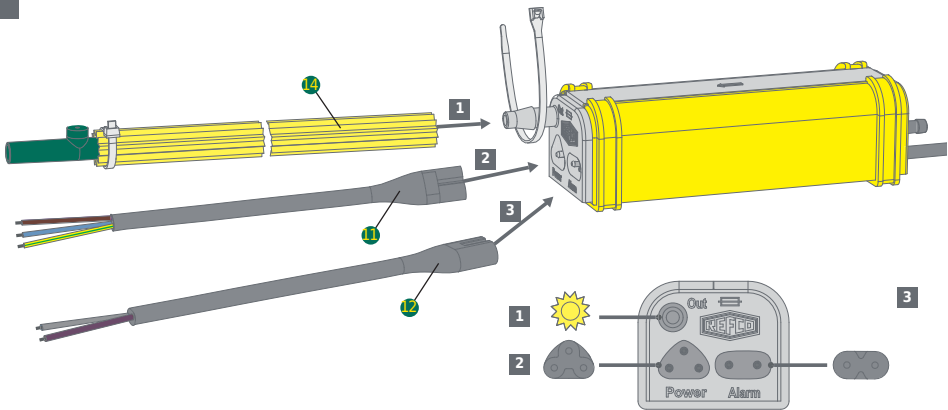
Nicht empfohlen: Wasserschäden können auftreten, wenn die Abflussleitung geknickt, eingeklemmt oder verstopft ist. Wasserschäden können auftreten, wenn die Pumpe ausfällt.



5



6



Beim Anschliessen des Netzkabels **11** darf keine Zugbelastung entstehen.

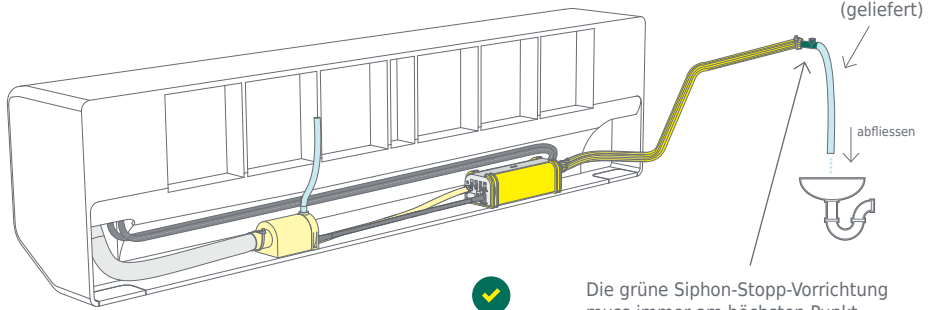
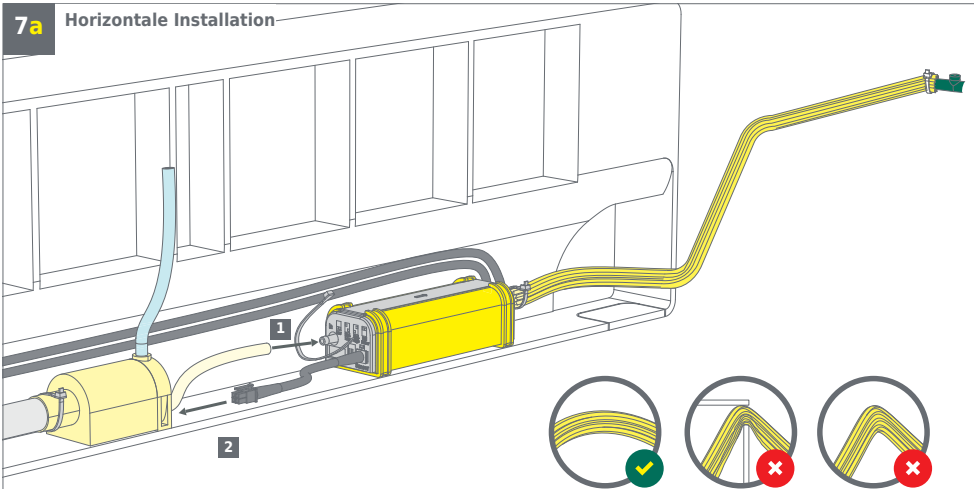


Stecken Sie das Netz- und Alarmskabel **12** vollständig in die Buchse ein.



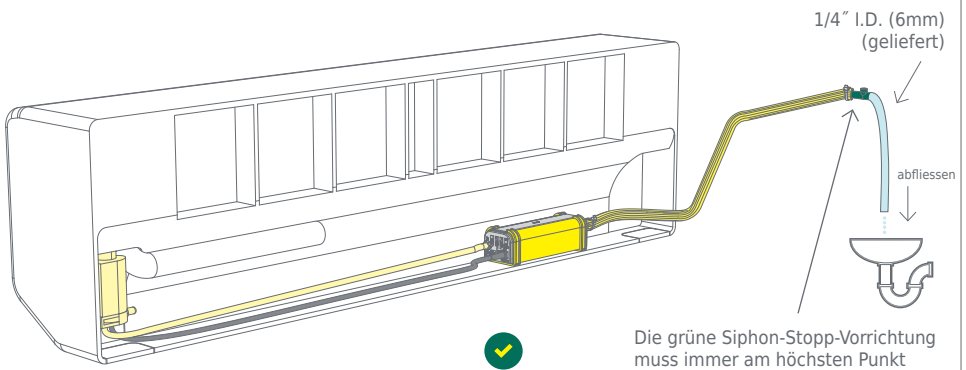
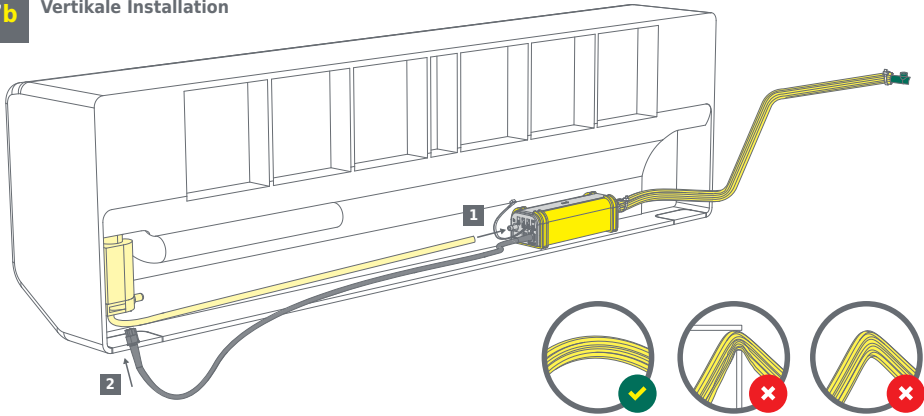
Verwenden Sie nur das Original-Netz-**11** und Alarmskabel **12**.

7a Horizontale Installation



Die grüne Siphon-Stopp-Vorrichtung muss immer am höchsten Punkt installiert werden.

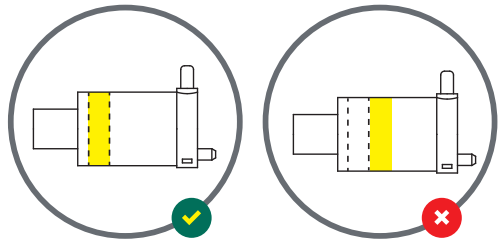
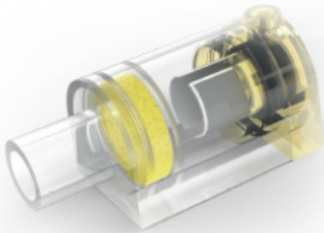
7b Vertikale Installation



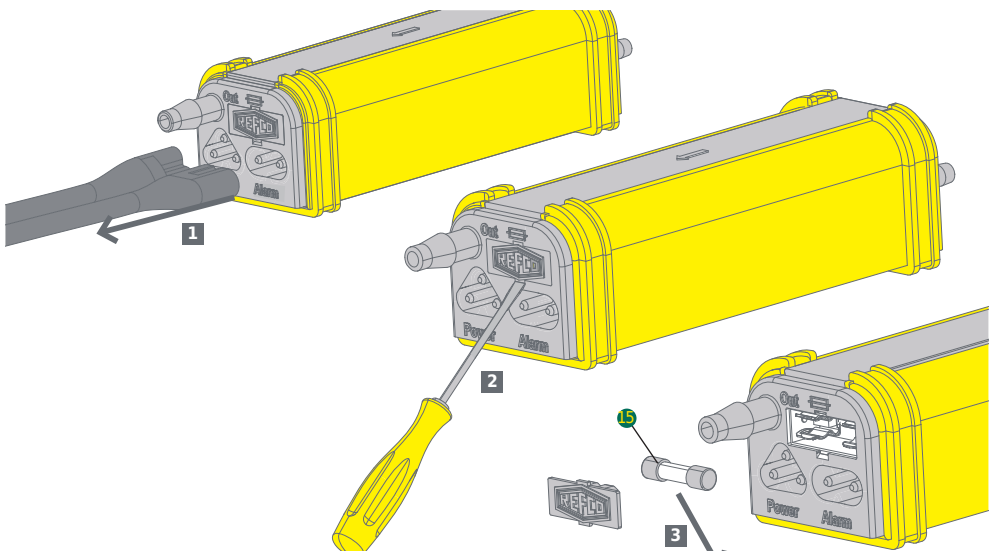
Wartung

Wartung des Wasserfilters

Regelmässiges Reinigen / Austauschen des Combi Wasserfilters hilft, die Lebensdauer der Pumpe zu verlängern. Der Wasserfilter dient allein dazu, das Eindringen von Fremdkörpern in die Pumpe zu verhindern. Die Filter-Wartungsintervalle hängen von der jeweiligen Umgebung ab, in der die Pumpe betrieben wird. Wir empfehlen, den Wasserfilter mindestens alle 12 Monate zu reinigen oder auszutauschen. Bei Verwendung der Pumpe in Umgebungen mit viel Staub, Rauch, Bratfett oder möglichem Algenwachstum sollte der Filter alle 3 Monate gereinigt oder ausgetauscht werden. Um den Wasserfilter zu reinigen / auszutauschen, nehmen Sie ihn aus dem Wassersensorgehäuse und spülen ihn gründlich mit kaltem Wasser ab. Anschliessend setzen Sie den Filter, wie unten dargestellt, **zwischen die beiden** inneren Halteflansche des Sensorgehäuses ein.



Alarmsicherung wechseln



WARNUNG: Trennen Sie alle Verbindungen zum Stromnetz, bevor Sie mit der Installation, Wartung oder mit Servicearbeiten beginnen.



Die Sicherung des Alarmrelais muss für die jeweilige Anwendung bemessen und vom Typ HRC sein, 5 x 20mm 250 VAC, 6.3A (Max).



Die Installation muss durch Fachpersonal erfolgen.



Rücksendung und Entsorgung

Die Kondensatpumpe muss am Ende ihrer Lebensdauer an einem Sammelpunkt für elektrische und elektronische Geräte abgegeben werden (entsprechend den lokalen Bestimmungen).

Problembekämpfung

Problem	Lösung
LEDs leuchten nicht	Überprüfen Sie die Eingangsspannung. Die Litzenfarben sind blau und braun.
Pumpe läuft ununterbrochen	<p>Prüfen Sie, ob der Filter richtig sitzt. Der Wasserfilter darf den digitalen Sensor nicht berühren.</p> <p>Überprüfen Sie den digitalen Sensor auf Schmutz, Schimmel oder Ablagerungen. Reinigen Sie ihn mit destilliertem Wasser. Wenn das Ergebnis nicht zufriedenstellend ist, sollte der Sensor mit einer Flüssigkeit auf Alkoholbasis gereinigt werden.</p> <p>Überprüfen Sie alle Schlauchverbindungen und stellen Sie sicher, dass sie fest auf den Schlauchtüllen sitzen und mit Kabelbindern gesichert sind. Untersuchen Sie die gesamte Ablaufleitung auf Verstopfungen und Knickstellen und ob der Schlauch eingeklemmt ist.</p> <p>Wenn die Pumpe ununterbrochen arbeitet und aus dem Ende der Ablaufleitung Wasser fließt, müssen Sie die Leistungseinstellung des DIP-Schalters verändern, um die Leistung der Pumpe zu erhöhen. Für die derzeitige Leistungseinstellung der Pumpe ist die Wassermenge oder die Förderhöhe zu hoch.</p>
Klimaanlage arbeitet nicht	<p>Überprüfen Sie die LED-Statusleuchte der Pumpe. Wenn sie durchgängig rot leuchtet (kein Blinken) UND das Alarmskabel korrekt angeschlossen ist, verhindert das Alarmrelais der Pumpe absichtlich, dass die Klimaanlage läuft. So werden ein Überlaufen von Wasser und mögliche Wasserschäden vermieden. Dies entspricht der korrekten Funktionsweise eines Pumpen-Alarmrelais.</p> <p>Wenn das Alarmskabel verwendet wird, überprüfen Sie die HRC-Alarmsicherung mit einem Multimeter und tauschen Sie sie gegebenenfalls aus. Glassicherungen können durch Sichtkontrolle geprüft werden. Wenn das Alarmskabel verwendet wird, stellen Sie sicher, dass sich die Pumpe im Standard Modus befindet.</p> <p>Wenn das Alarmskabel verwendet wird und die Verkabelung korrekt ist, überprüfen Sie die LED-Statusanzeige. Wenn sie AUS ist und überhaupt keine LEDs leuchten, liegt der Fehler entweder bei der Hauptstromversorgung der Pumpe oder bei der Pumpe selbst.</p> <p>Im Alarmmodus läuft die Pumpe selbst bei ausgeschalteter Klimaanlage weiter, um den Wasserstand zu senken. Sobald der Wasserstand niedrig genug ist, setzt die Pumpe automatisch das Alarmrelais zurück, damit die Klimaanlage wieder mit Strom versorgt wird. Hinweis: Viele Aussenklimaanlagen haben eine Verzögerung von 5 Minuten, bis sie den Kompressor einschalten und den normalen Kühlungsbetrieb wiederaufnehmen.</p>
Die Klimaanlage schaltet die Pumpe aus (Die Pumpe schaltet sich aus, sobald das Klimagerät eingeschaltet wird):	Prüfen Sie, ob das Klimagerät mit einem Luftreiniger (Ionisator) oder einer anderen Komponente ausgestattet ist, die ein hochfrequentes elektromagnetisches Feld erzeugen kann. Wenn sich der Wassersensor in der Nähe befindet, ändern Sie den Standort des Sensors so weit wie möglich von der vermuteten Störquelle entfernt. Befindet sich der Ionisator beispielsweise auf der linken Seite des Klimageräts, verschieben Sie den Sensor so weit wie möglich nach rechts. Vergewissern Sie sich dann, dass die Pumpe störungsfrei arbeitet, sobald das Klimagerät eingeschaltet wird.
Alarm ist aktiviert	Wenn der Alarm aktiviert ist (LED leuchtet durchgängig rot), ist der Wasserzulauf in die Pumpe zu gross, sodass sie diesen nicht mehr bewältigen kann. Sobald der digitale Sensor einen zu hohen Wasserstand misst, löst er das Alarmrelais aus und unterbricht die Stromzufuhr der Klimaanlage (nur wenn das Alarmskabel verwendet wird). Möglicherweise ist die Ablaufleitung verstopft, geknickt oder eingeklemmt. Zudem kann es sein, dass an der Pumpe nicht die richtige Leistungseinstellung im Verhältnis zur Leistung der Klimaanlage oder zum hohen vertikalen Förderweg gewählt wurde.
Wasser tropft heraus	<p>Stellen Sie sicher, dass das Alarmskabel entsprechend dem dazugehörigen Schaltplan korrekt angeschlossen ist. Hinweis: Für die verschiedenen Typen von Klimaanlage gibt es unterschiedliche Schaltpläne.</p> <p>Wenn die Alarmfunktion nicht verwendet wird und die Ablaufleitung verstopft, geknickt oder eingeklemmt ist, kann die Pumpe überlaufen. Daher sollten Sie immer die Alarmfunktion verwenden.</p> <p>Überprüfen Sie alle Schlauchverbindungen. Bei einem hohen Förderdruck (langer vertikaler Förderweg) kann der Wasserdruck den Schlauch von der Tülle lösen. Daher sollten Sie immer die mitgelieferten Kabelbinder verwenden.</p>
Pumpe macht laute Geräusche	<p>Prüfen Sie, ob der Filter richtig sitzt. Wenn der Wasserfilter den digitalen Sensor berührt, hält dieser es für Wasser und aktiviert die Pumpe, wodurch sie trocken läuft, obwohl sie überhaupt nicht laufen sollte.</p> <p>Reinigen Sie den digitalen Sensor und den Filter mit Wasser.</p> <p>Stellen Sie die Pumpenleistung passend zur Leistung der Klimaanlage sowie zur Steigung und zum Verlauf der Ablaufleitung ein (siehe DIP-Schalter-Einstellung in der Installationsanleitung).</p>
Schlürfen / Gurgeln	Beseitigen Sie eine eventuelle Siphonwirkung in der Ablaufleitung. Wenn die Ablaufleitung unterhalb der Pumpe verläuft, sorgt das Gewicht des Wassers, das nach Ausschalten der Pumpe in der Ablaufleitung verbleibt, für einen Siphoneffekt. Durch diesen wird Wasser aus der Pumpe gesaugt, wodurch die Pumpe startet und trocken läuft, bis wieder Wasser einläuft. Dabei können Schlürf- und Gurgelgeräusche entstehen. Montieren Sie die Ablaufleitung korrekt, sodass kein Siphon entsteht.
LED-Leuchten blinken	Nach dem Einschalten blinkt die LED-Leuchte der Pumpe 5 Mal, woraufhin sie in den Standby-Modus wechselt (grünes Blinken). Dies entspricht der korrekten Funktionsweise. Die LED-Startsequenz gibt als Einzige Auskunft darüber, ob der Alarm derzeit für den Standardmodus oder den Peripheriemodus konfiguriert ist. Das Alarmrelais ist individuell konfigurierbar und kann hin- und herschaltet werden (siehe Schaltplan-Hinweise).
LED blinkt 3x rot & 3x grün	Dies ist das Neu-Konfigurationssignal der Pumpe. Die Pumpe braucht Hilfe! Wenn die Pumpe bei 3

aufeinanderfolgenden langen Zyklen vom Standby-Modus in den Alarmmodus schaltet, zeigt sie an, dass die aktuelle Leistungseinstellung des DIP-Schalters für den Wasserzufluss, die Förderhöhe oder beides zu niedrig ist und erhöht werden muss.

Erhöhen Sie die Leistung der Pumpe mithilfe des DIP-Schalters. Das Neu-Konfigurationssignal erscheint erst, wenn nach 3 aufeinanderfolgenden langen Zyklen jeweils in den Alarmmodus geschaltet wurde.

Ersatzteile und Zubehör



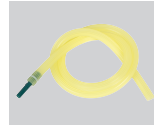
HSG-4065/4
Stop-Siphon Vorrichtung, 4 Stk.
Bestell-Nr. 3004065



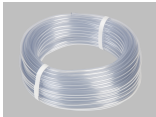
FIL-4063/4
Filter, 4 Stk.
Bestell-Nr. 3004063



FUS-4180/10
Sicherung 5x20 6.3A, 10 Stk.
Bestell-Nr. 3004180



KIT-4087
Sternschlauch mit Siphon-
Stopp-Vorrichtung
Bestell-Nr. 3004087



PVC-TUBE
**Plastikschlauch 6 mm (1/4\"/>
Bestell-Nr. 4679160**



COMBI-SEN
Ersatzsensor für COMBI
Bestell-Nr. 3004113



IN-LINE FILTER
Kondenswasserfilter
Bestell-Nr. 4678597

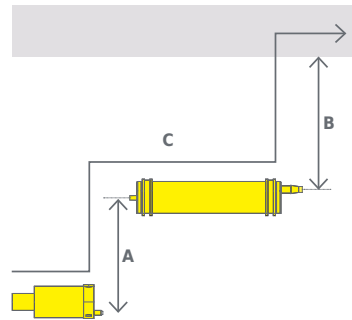


COMBI-SHIELD
Sensorschutz vor
elektronischen Störungen
Bestell-Nr. 3004187

Anhang

Korrigierter Durchfluss in Abhängigkeit von der Installation l/h 1/4" (6mm) Auslassschlauch @ voller Leistung

A	B	C				
		Gesamtlänge Meter				
Absaugung (lift)	Entladung (Aufstieg) m	5	10	15	20	30
0.0 m	0	42	42	40	40	40
	1 (3.3ft.)	42	42	40	40	36
	3 (9.9 ft.)	37	37	35	35	34
	5 (16.4 ft.)	31	30	29	29	29
	10 (32.8 ft.)	17	16	15	14	14
	15 (49.2 ft.)	9	9	9	9	8
1.0 m (3.3 Ft)	20 (65.6 ft.)				8	7
	0	42	42	42	40	40
	1 (3.3ft.)	42	42	42	40	39
	3 (9.9 ft.)	36	36	35	35	34
	5 (16.4 ft.)	30	30	29	29	29
	10 (32.8 ft.)	16	16	16	16	15
2.0 m (6.6 Ft.)	15 (49.2 ft.)	10	10	10	10	10
	20 (65.6 ft.)				7	9
	0	35	35	35	35	34
	1 (3.3ft.)	33	33	33	32	31
	3 (9.9 ft.)	33	32	31	31	30
	5 (16.4 ft.)	27	26	26	26	25
3.0 m (9.9 Ft.)	10 (32.8 ft.)	17	17	16	16	15
	15 (49.2 ft.)	10	10	10	9	9
	20 (65.6 ft.)				5	5
	0	30	30	30	30	29
	1 (3.3ft.)	28	28	28	28	27
	3 (9.9 ft.)	28	28	28	27	26
3.0 m (9.9 Ft.)	5 (16.4 ft.)	23	23	23	23	22
	10 (32.8 ft.)	15	15	15	15	15
	15 (49.2 ft.)	7	7	6	5	5



Umrechnungsformel für US-Gallonen/Std.

_____ l/Std. x 0.264 = _____ G/Std.

Contents

Introduction	32
Généralités	32
Consignes de sécurité importantes	32
Caractéristiques techniques	33
Description du produit	34
Transport et le stockage	36
Mise en service	36
Maintenance	44
Retour et mise au rebut	44
Dépannage	45
Pièces de rechange et accessoires	47



Veillez lire avant la mise en service l'ensemble des consignes de sécurité et d'installation.



Déchets d'équipements électriques et électroniques (DEEE) La présente pompe ne doit pas être jetée avec les déchets ménagers.



Conformité CE / Conformité UKCA

Ce marquage confirme le respect des standards de santé, de sécurité et de protection environnementale des produits.



Conformité RoHS

Regulatory Compliance Mark (RCM)
Satisfait aux exigences de sécurité électrique en vigueur en Australie et en Nouvelle-Zélande.



Composants certifiés ETL

Le présent produit a été contrôlé et satisfait aux standards en vigueur publiés aux États-Unis d'Amérique et au Canada.



Introduction

Vous avez fait l'acquisition de notre nouvelle pompe de relevage de condensats Combi et nous vous félicitons de ce choix. La pompe Combi a été intégralement repensée. Certaines propriétés éprouvées ont été maintenues tandis que d'autres fonctions ont été perfectionnées. Le capteur à eau numérique, la plage de tension universelle et la régulation du débit font de cette pompe la pompe de relevage de condensats la plus puissante et la plus silencieuse qui existe aujourd'hui sur le marché pour les installations de climatisation.

Généralités

Les produits REFCO ont été spécialement développés et fabriqués pour être utilisés par des installateurs frigoristes et des techniciens en réfrigération qualifiés. REFCO souligne expressément que ses produits sont vendus exclusivement à des professionnels qualifiés.

Le présent guide d'utilisation contient des informations importantes sur la manipulation de la pompe Combi. Une condition préalable pour l'exploitation en toute sécurité de l'appareil est le respect de toutes les consignes de sécurité et de fonctionnement.

- Respectez également les prescriptions locales en matière de sécurité ainsi que les consignes générales de sécurité applicables pour le domaine d'utilisation de la pompe Combi.
- Le guide d'utilisation fait partie intégrante du produit et doit être conservé à proximité directe de la pompe Combi pour rester accessible à tout moment au personnel qualifié.
- Le personnel qualifié doit avoir lu attentivement et compris le guide d'utilisation avant la mise en service de l'appareil.
- Le fabricant n'engage aucune responsabilité en cas de dommages dus à une utilisation non conforme, au non-respect du présent guide d'utilisation, à l'intervention de personnel insuffisamment qualifié et à des modifications sur la pompe Combi effectuées sans l'autorisation du fabricant.
- Les Conditions Générales énoncées dans la documentation de vente s'appliquent.

Symboles et conventions d'écriture



AVERTISSEMENT/PRUDENCE

Certaines consignes de sécurité doivent être suivies et/ou la présence d'un danger potentiel exige la prudence.



TENSION DANGEREUSE

Attire l'attention sur des risques dus à des tensions dangereuses.

Consignes de sécurité



Veillez lire avant la mise en service l'ensemble des consignes de sécurité et d'installation. Pour éviter tout danger, l'installation du produit doit être exécutée uniquement par du personnel qualifié formé sur le plan technique et disposant de l'outillage adéquat. Une formation technique est nécessaire pour procéder à l'installation du produit et aux raccordements électriques afin de garantir une installation sûre et un fonctionnement correct.

Cet appareil n'est pas destiné à être utilisé par des personnes (notamment des enfants) présentant des capacités physiques, sensorielles ou mentales limitées voire dépourvues de connaissance et d'expérience, sauf si elles sont supervisées ou ont reçu des instructions pour l'usage de l'appareil par une personne responsable de leur sécurité. Les enfants ne doivent pas jouer avec l'appareil.

Conservez soigneusement cette notice.



Utilisation à l'intérieur uniquement. Cet appareil électrique est conçu en premier lieu pour une utilisation à l'intérieur. Non submersible.

La pompe de relevage de condensats Combi doit être installée conformément aux prescriptions locales et régionales relatives aux installations électriques.



AVERTISSEMENT : Coupez toutes les connexions au réseau d'électricité avant de commencer l'installation, la maintenance ou des travaux de service.



AVERTISSEMENT : Coupez la liaison à l'alimentation électrique avant d'extraire et de vérifier le fusible interne.



PRUDENCE : N'installez pas la pompe de relevage de condensats REFCO si celle-ci présente un dommage.



AVERTISSEMENT : Vérifiez l'absence de dommages sur le câble d'alimentation et d'alarme de la pompe de relevage de condensats REFCO avant, pendant et à intervalles réguliers après l'installation. Si le câble d'alimentation ou d'alarme est endommagé, coupez la pompe de relevage de condensats du réseau électrique. Adressez-vous à REFCO pour obtenir un appareil de rechange.

La sortie combinée pour le câble d'alimentation/d'alarme de la pompe Combi ne peut pas être remplacée. Si elle est endommagée, toute la pompe doit être remplacée.



AVERTISSEMENT : Les câbles de la pompe de relevage de condensats REFCO ne doivent pas être sectionnés et doivent être posés de façon à ce qu'ils ne puissent pas être endommagés pendant et après l'installation.

PRECAUTION : Tous les raccords de flexible doivent être fixés sur des embouts au moyen de serre-câbles autobloquants.

N'UTILISEZ PAS D'OUTIL pour raccorder les flexibles.

NE METTEZ PAS LA POMPE EN SERVICE avec une température ambiante inférieure à 5 °C (41 °F).

NE PAS METTRE EN SERVICE avec une température d'arrivée d'eau supérieure à 40 °C (104 °F).

PRUDENCE : Évitez tout contact de la pompe de relevage de condensats avec des produits chimiques. Retirez du système la pompe et le capteur d'eau avant d'utiliser des liquides de nettoyage ou tout autres produits chimiques. Rincez les serpentins d'évaporateur à l'eau avant de remettre en service la pompe de relevage de condensats et le capteur d'eau. Assurez-vous avant

la remise en service que l'évaporateur est exempt de produits chimiques.

PRUDENCE : Cet appareil intègre une prise de terre uniquement à des fins fonctionnelles.



Aucune force de traction ne doit s'exercer sur le câble d'alimentation  lors du branchement de celui-ci.









Branchez le câble d'alarme  et le câble d'alimentation **intégralement dans la prise.**



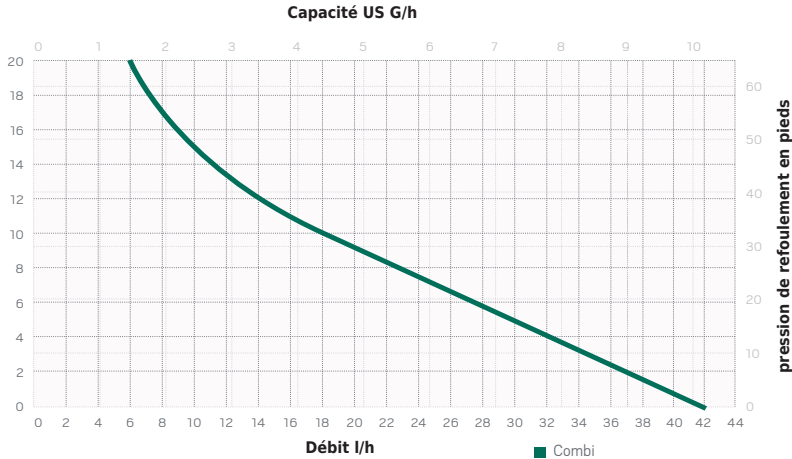
Utilisez exclusivement le câble d'alimentation  et le câble d'alarme  d'origine.

Caractéristiques techniques

Débit max. :	42 l/Hr. (11 GPH)
Aspiration max. :	3 m (9,80 ft) auto-amorçante
Hauteur de refoulement max. :	20 m (65.60 ft.)
Parcours horizontal de refoulement max. :	100 m (330 ft) à une hauteur de refoulement de 0 et une hauteur d'aspiration de 0
Niveau de puissance sonore :	20 dBA à 1 m DIN EN ISO 3741:2011 / DIN EN ISO 3744:2010
Tension :	Universelle 100 ~ 240 VAC 50/60 Hz alimentation électrique auto-détectrice
Puissance :	8 W en service maximal à 110 V
Relais d'alarme :	Contacts 7 ampères avec fusible intégré remplaçable 6.3A 5 x 20 mm
Poids :	1 000 g (2,2 lb.)
Tuyau de condensats étoilé :	6,25 mm diamètre intérieur (1/4") x 1 m (3,3 ft)
Emballage :	250 x 340 x 54 mm (9,9 x 13,4 x 2,1 pouces)
Surconditionnement :	10 pièces ; dimensions : 590 x 265 x 365 mm (23,2 x 10,4 x 14,4 pouces)
Couleur :	RAL #7040 gris et RAL #1023 jaune
Classe de protection :	Encapsulation intégral, IP-44
Température de service :	Environnement 5 °C à 40 °C (41 °F à 104 °F) / eau 5 °C à 40 °C (41 °F à 104 °F)
Conformité :	Correspond à UL 778, CSA C22.2 #108 et UL 2043 (plenum rated)

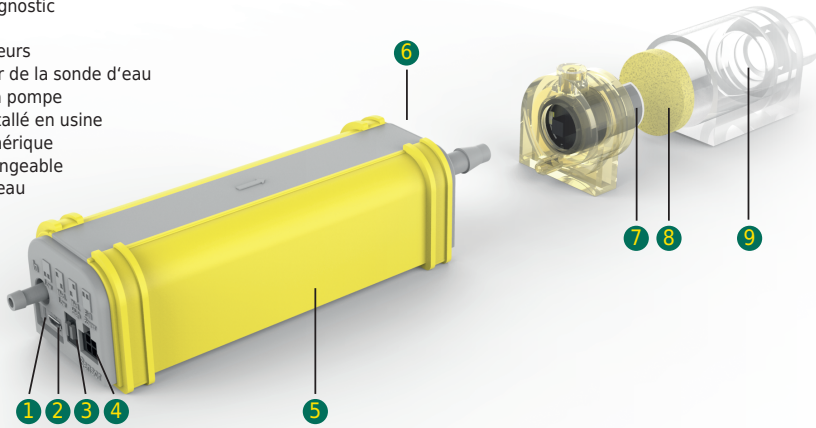







Puissance de pompage

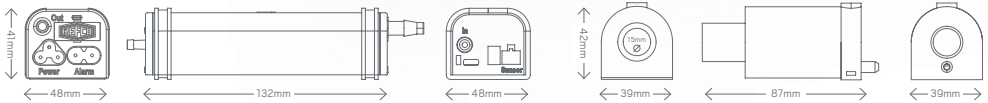


Description du produit

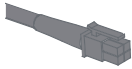
- 1 LED de diagnostic
- 2 Port USB
- 3 Commutateurs
- 4 Connecteur de la sonde d'eau
- 5 Corps de la pompe
- 6 Fusible installé en usine
- 7 Sonde numérique
- 8 Filtre interchangeable
- 9 Capteur d'eau

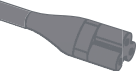


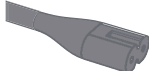
Dimensions de la pompe




Accessoires fournis

10 
Câble de la sonde
Part No. 4687950

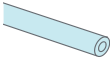
11 
Câble d'alimentation
Type: SVT 18AWG*3C Cable
+H05VV-F 3G 0.75mm²
Part No. 3004139


12 
Câble d'alarme
Part No. 3004166

13 
Tube d'aspiration
Part No. 3004034

14 
Tube de condensats étoilé et
clapet anti-retour
Part No. 3004065

15 
Fusible installé en usine, 5x20mm
Part No. 3004180

16 
Tube d'évacuation
Part No. 3004033

17 
Serre-câbles, 3 pcs.

18 
Combi-Sen
Part No. 3004113

Signaux du relais d'alarme LED

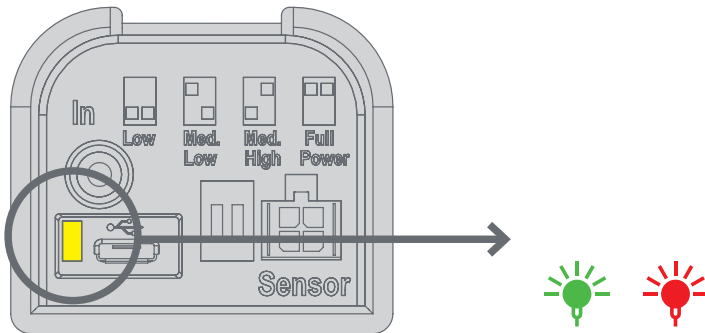
















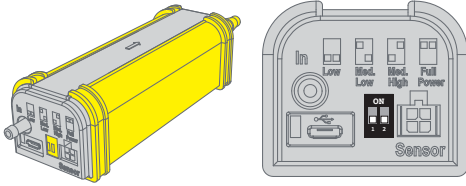
Table d'opération de relais d'alarme

Séquences de démarrage			
		(normalement fermé)	(normalement ouvert)
Etat de la pompe	Niveau de condensat	Mode par défaut	Mode périphérique
Pas alimentée	N/A	NC  COM	NC  COM
Alimentée	Niveau d'alarme inférieur	NC  COM	NC  COM
Alimentée	Alarme activée	NC  COM	NC  COM

* Le fonctionnement du relais d'alarme est configurable par l'utilisateur, voir page 39/40 *

Signaux LED en service

Pas alimentée		La pompe est mal connectée ou aucune tension d'entrée. Problème avec le système A / C ou l'alarme est mal connectée
Or	Séquence de démarrage (Mode par défaut)	L'alternance rouge / vert clignote 5 fois seulement puis s'arrête et passe en mode veille.
	Démarrer la séquence LED (Mode périphérique)	L'alternance rouge / vert clignote 5 fois seulement puis s'arrête et passe en mode veille.
Mode veille -attendre d'eau		Vert clignotant en continu
Pompage de l'eau		Vert fixe. Fonctionnement normal
Mode de niveau d'eau élevé		Rouge clignotant. Fonctionne avec un niveau d'eau trop élevé
Mode d'alarme -relais activé		Rouge fixe. La pompe ne peut pas suivre l'arrivée d'eau. Pour empêcher le débordement de l'eau, couper l'alimentation A / C jusqu'à ce que le niveau d'eau diminue
Code reconfiguration		La pompe fait 3 séquences supplémentaires, reconfigurer les commutateurs pour plus de capacité



bas
jusqu'à 18K Btu/h
(5.3kW)



moyen bas
jusqu'à 42K Btu/h
(12kW)



moyen haut
jusqu'à 72K Btu/h
(21.1kW)



haut
jusqu'à 120K Btu/h
(35kW)



Notes pour les unités de climatisation

Le réglage de la pompe à condensat doit être ajustée en fonction de la puissance de l'unité de conditionnement.

Transport et stockage

Transport

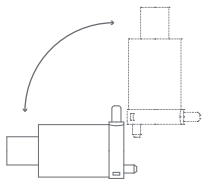
Vérifiez l'absence de dommages sur la pompe Combi liés au transport. Tout dommage constaté doit être immédiatement signalé au vendeur.

Stockage

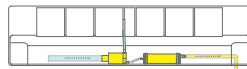
- Température de stockage : -20 °C à +60 °C
- Humidité : Humidité relative de 0 à 90 % (sans condensation)

Mise en service

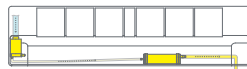
Installation



La sonde d'eau peut être utilisée horizontalement ou verticalement.



Sonde d'eau et pompes installées côte à côte dans le climatiseur



Sonde d'eau, à la verticale, et pompe dans le climatiseur

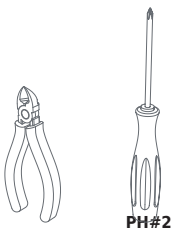


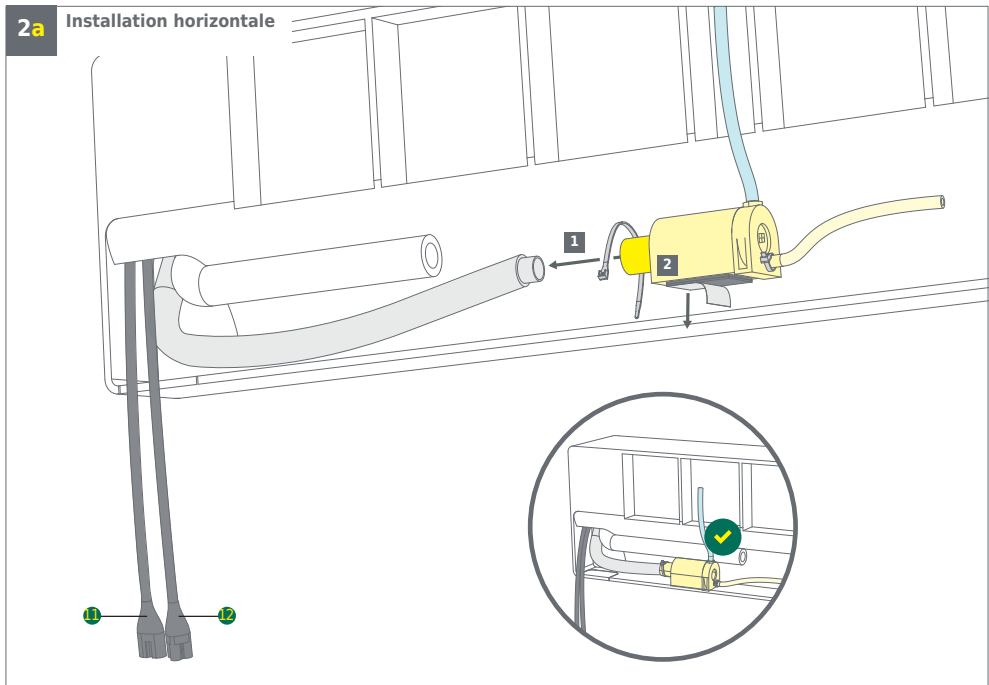
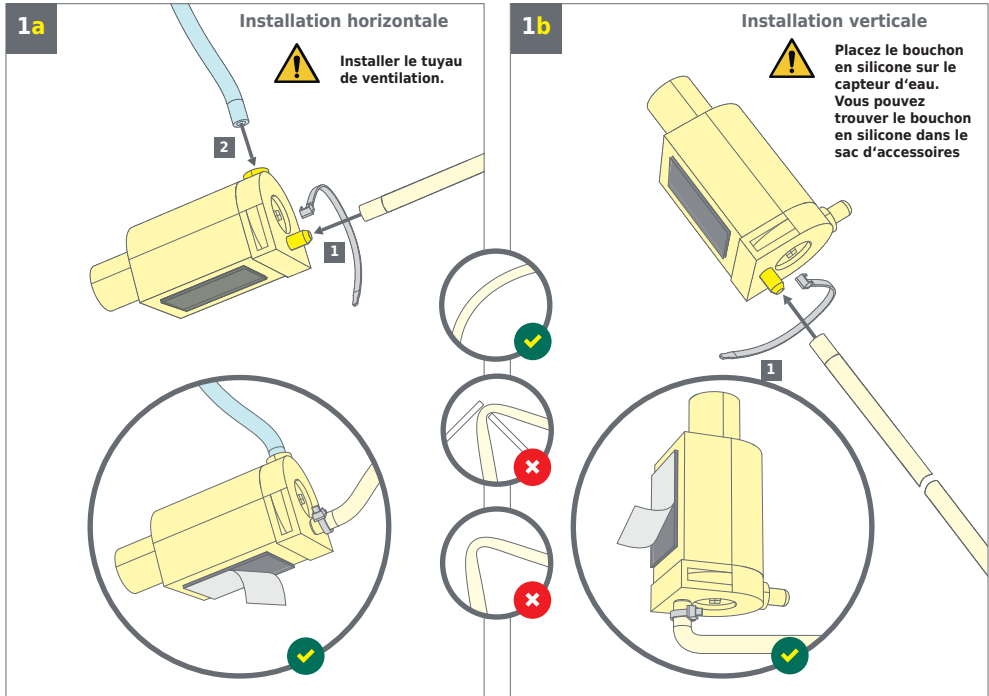
Sonde d'eau dans le climatiseur, pompe dans le plafond

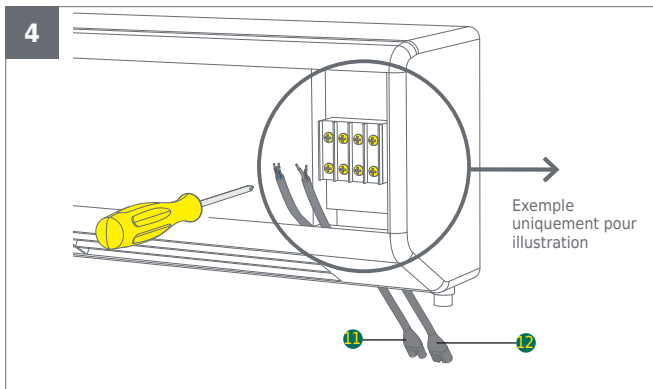
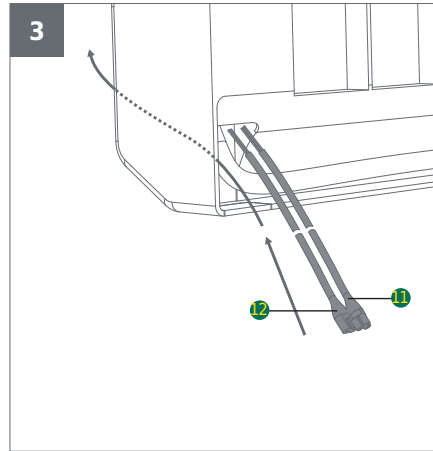
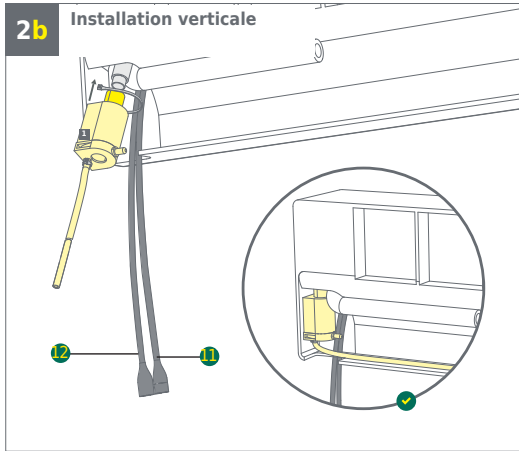


Sonde d'eau à l'intérieur du climatiseur et pompe à l'extérieur du climatiseur.

Outils nécessaires







AVERTISSEMENT :



Coupez toutes les connexions au réseau d'électricité avant de commencer l'installation, la maintenance ou des travaux de service.



L'installation doit être réalisée par du personnel qualifié.



Les connexions à fiches doivent être parfaitement sèches.



PUISSANCE D'ENTRÉE :
100-240V, 50/60Hz, 2,5A (max)



Le fusible du relais d'alarme doit être dimensionné pour l'application correspondante et être de type HRC, 5 x 20mm 250 VAC, 6.3A (max).



Cet appareil intègre une prise de terre uniquement à des fins fonctionnelles.



Veillez noter que certains climatiseurs sont équipés de composants qui génèrent un champ électromagnétique à haute fréquence, comme par exemple un purificateur d'air, qui peut interférer avec le capteur d'eau numérique. Il est recommandé de placer le capteur le plus loin possible d'un tel appareil et de vérifier le fonctionnement de la pompe à condensat dès que le climatiseur est allumé.

Si cela n'est pas possible, nous recommandons d'utiliser le COMBI-SHIELD, la protection des capteurs contre les rayonnements électroniques. Voir aussi la section Pièces de rechange et accessoires.

Vous trouverez ci-dessous des exemples d'installation des pompes REFCO. Pour exemple seulement.

Lorsque l'unité d'évaporation intérieure est alimentée par le condenseur extérieur (dessin n° 1)

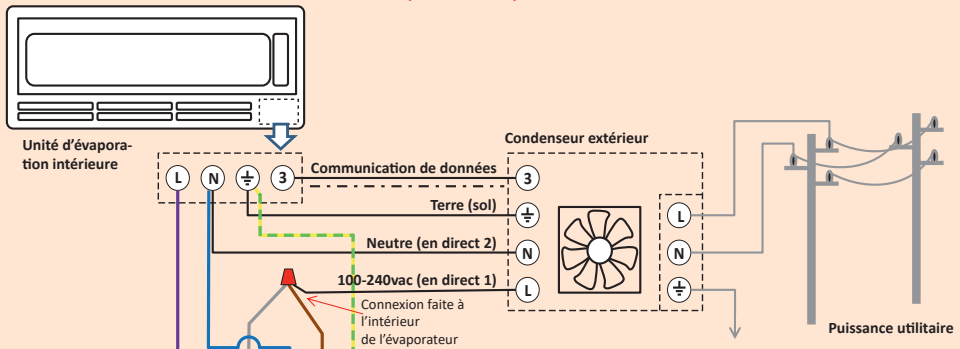


Table d'opération du relais d'alarme

Activer la séquence de flash LED			
Etat de la pompe	Niveau de condensat	Mode par défaut	Mode périphérique
Non alimentée ou (panne de pompe)	n/a	NC COM	NC COM
Alimentée	Niveau d'alarme inférieur	NC COM	NC COM
Alimentée	Alarme activée	NC COM	NC COM

Comment changer le fonctionnement du relais d'alarme

- Débrancher la pompe
- Déplacez les positions du commutateur DIP sur
- Branchez la pompe
- Attendez qu'une LED verte clignote
- Déplacez les positions du commutateur DIP sur
- Attendez qu'une LED rouge clignote
- Réinitialiser les positions du commutateur DIP sur
- Attendez un clignotement de la LED verte
- Débrancher la pompe
- Remplacez les commutateurs DIP par la configuration de capacité souhaitée. (Bas, Moyen-Bas, Moyen-Haut, Haut)
- Insérer la pompe et vérifier que la séquence d'allumage de la LED correspond à la fonction du relais d'alarme souhaité
- Fin!

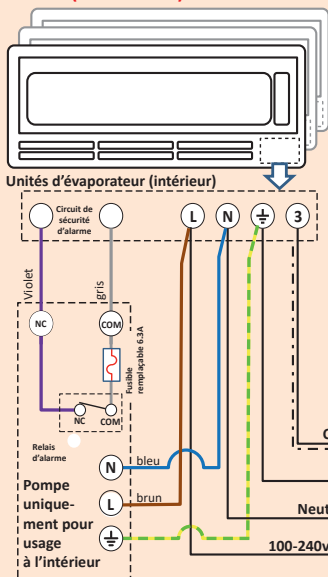


* Pour réinitialiser le relais d'alarme à l'opération par défaut (NC), répétez les étapes 1 à 11

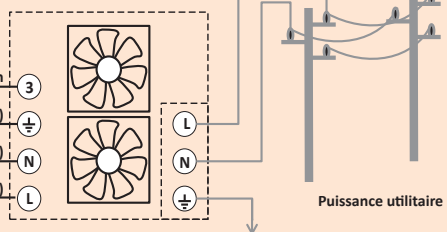
Mode par défaut: Peut être utilisé pour désactiver un périphérique externe (par ex. l'évaporateur) lorsque le condensat se situe au-dessus du niveau d'alarme. Les dessins de cette page montrent des exemples avec le mode par défaut.

Mode périphérique: Peut être utilisé pour activer un périphérique externe (par ex. une alarme acoustique ou optique) lorsque le condensat se situe au-dessus du niveau d'alarme.

Lorsque le système multi-split est installé (dessin n° 2)



Unité de condensation (externe)



Ci-dessous des exemples d'installation des pompes REFCO. Pour référence seulement.

Lorsque le condenseur extérieur est alimenté par l'unité d'évaporation intérieure (dessin # 3)

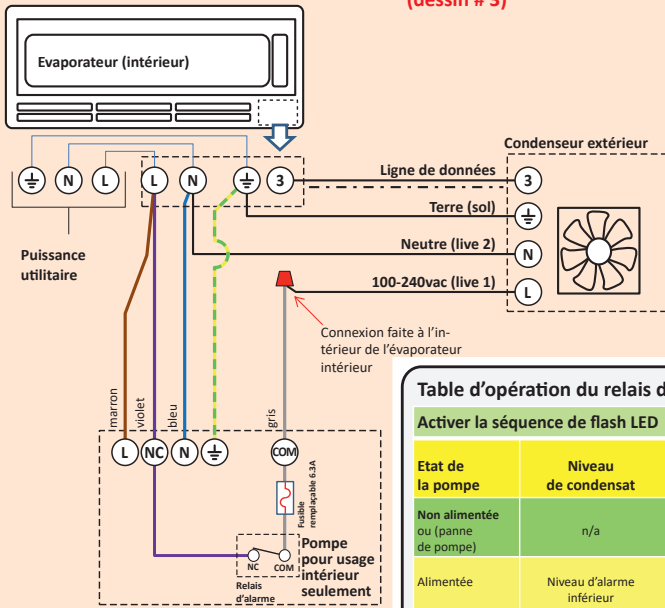


Table d'opération du relais d'alarme

Etat de la pompe	Niveau de condensat	Mode par défaut	Mode périphérique
Non alimentée ou (panne de pompe)	n/a	NC COM	NC COM
Alimentée	Niveau d'alarme inférieur	NC COM	NC COM
Alimentée	Alarme activée	NC COM	NC COM

Comment changer le fonctionnement du relais d'alarme

- Débrancher la pompe
- Déplacez les positions du commutateur DIP sur
- Rebranchez la pompe
- Attendez qu'une LED verte clignote
- Déplacez les positions du commutateur DIP sur
- Attendez qu'une LED rouge clignote
- Réinitialiser les positions du commutateur DIP sur
- Attendez un clignotement de la LED verte
- Débrancher la pompe
- Remplacez les commutateurs DIP par la configuration de capacité souhaitée. (Bas, Moyen-Bas, Moyen-Haut, Haut)
- Insérer la pompe et vérifier que la séquence d'allumage de la LED correspond à la fonction du relais d'alarme souhaité
- Finii

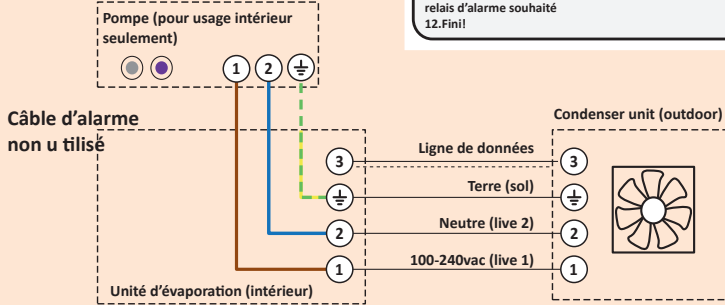
* Pour réinitialiser le relais d'alarme à l'opération par défaut (NC), répétez les étapes 1 à 11

Mode par défaut: Peut être utilisé pour désactiver un périphérique externe (par ex. l'évaporateur) lorsque le condensat se situe au-dessus du niveau d'alarme. Les dessins de cette page montrent des exemples avec le mode par défaut.

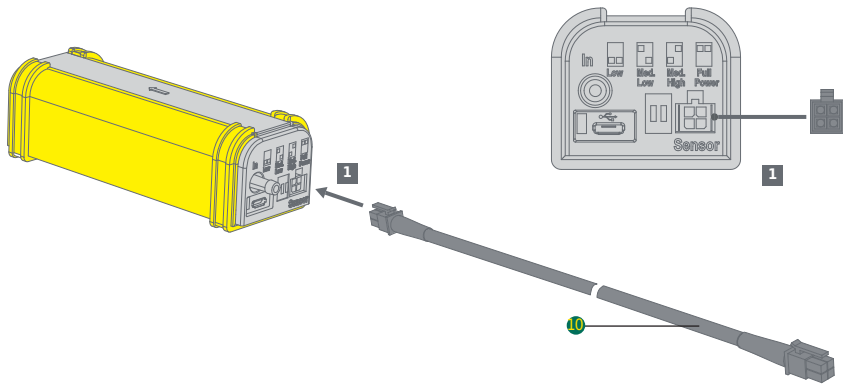
Mode périphérique: Peut être utilisé pour activer un périphérique externe (par ex. une alarme acoustique ou optique) lorsque le condensat se situe au-dessus du niveau d'alarme.

Puissance seulement sans circuit d'alarme (dessin # 4)

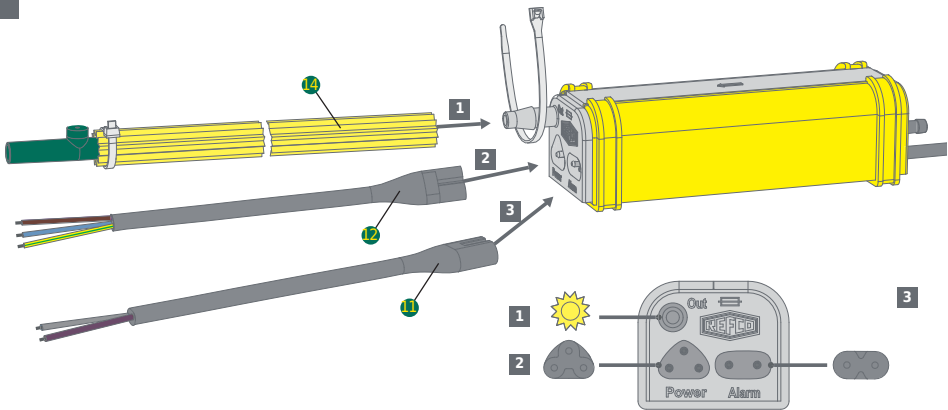
Non recommandé:
Des dégâts d'eau peuvent survenir si la conduite de vidange est pliée, pincée ou bouchée. Des dégâts d'eau peuvent se produire si la pompe tombe en panne.



5



6



Aucune force de traction ne doit s'exercer sur le câble d'alimentation lors du branchement de celui-ci.

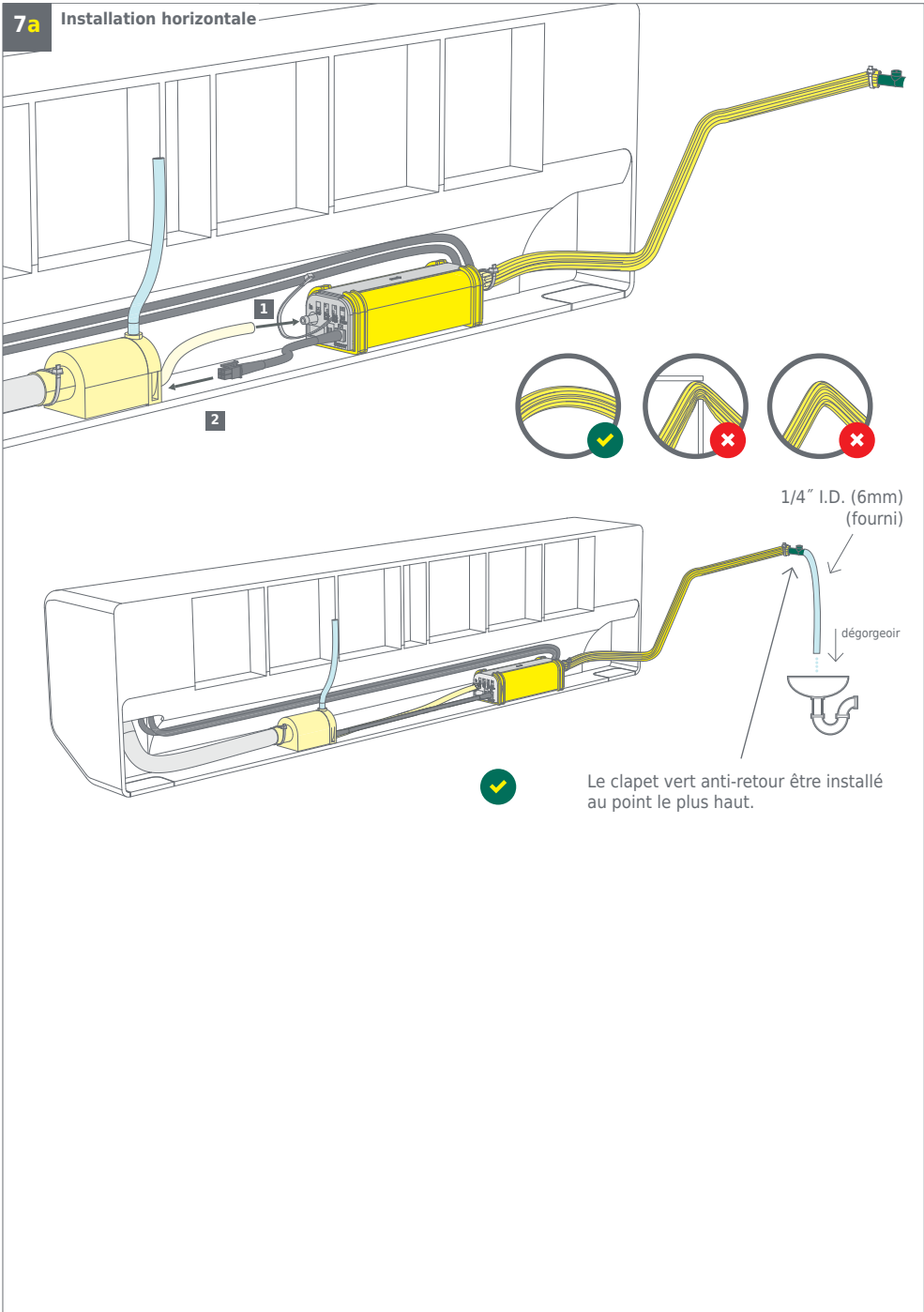


Branchez le câble d'alarme et d'alimentation intégralement dans la prise.

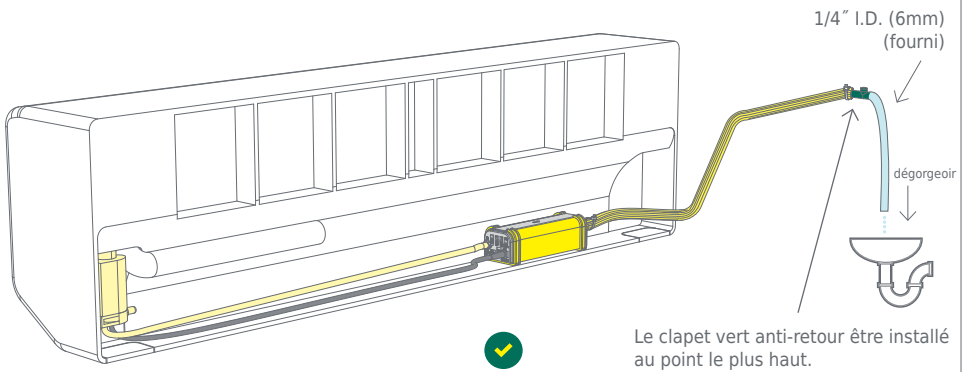
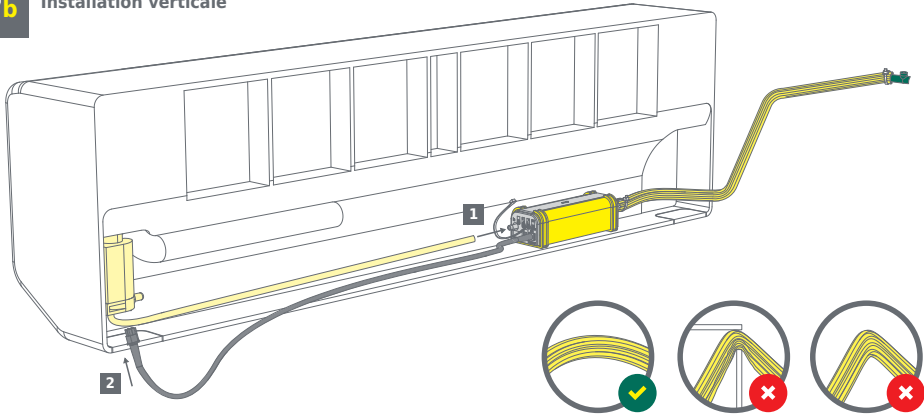


Utilisez exclusivement le câble d'alimentation et le câble d'alarme d'origine.

7a Installation horizontale



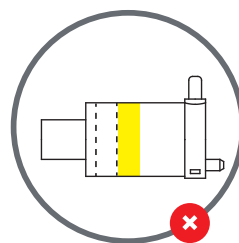
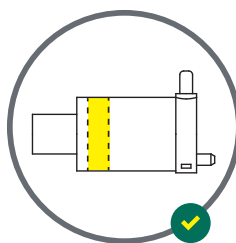
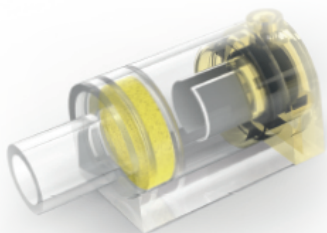
7b Installation verticale



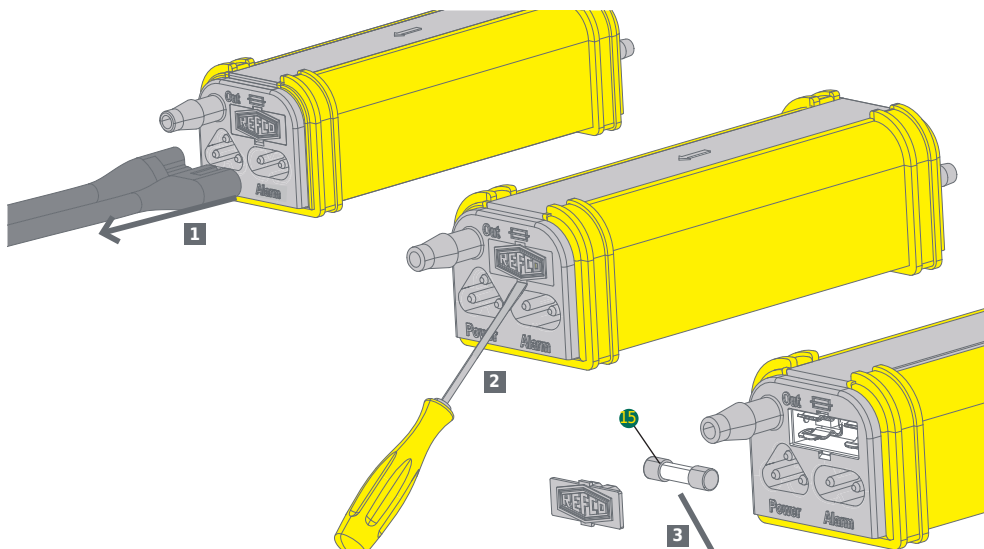
Maintenance

Maintenance du filtre à eau

Le nettoyage / remplacement régulier du filtre à eau Combi permet de prolonger la durée de vie de la pompe. Le filtre à eau sert uniquement à empêcher l'infiltration de corps étrangers dans la pompe. Les intervalles de maintenance du filtre dépendent de l'environnement respectif dans lequel fonctionne la pompe. Nous recommandons de nettoyer ou de remplacer le filtre à eau au moins tous les 12 mois. Si la pompe est utilisée dans un environnement très poussiéreux, enfumé, chargé en graisse de cuisson ou avec un développement possible d'algues, le filtre doit alors être nettoyé ou remplacé tous les 3 mois. Pour nettoyer / remplacer le filtre à eau, sortez-le du corps du capteur d'eau et rincez-le soigneusement à l'eau froide. Remplacez ensuite le filtre comme représenté ci-dessous **entre les deux** brides de fixation intérieures du corps de capteur.



Remplacement du fusible d'alarme



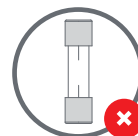
AVERTISSEMENT :
Coupez toutes les connexions au réseau d'électricité avant de commencer l'installation, la maintenance ou des travaux de service.



Le fusible du relais d'alarme doit être dimensionné pour l'application correspondante et être de type HRC, 5 x 20mm 250 VAC, 6.3A (max).



L'installation doit être réalisée par du personnel qualifié.



Retour et mise au rebut

À la fin de sa durée de vie, la pompe de relevage de condensats doit être envoyée à un point de collecte dédié aux appareils électriques et électroniques (respecter la réglementation locale).

Dépannage

Problème	Correction
Les LED ne s'allument pas	Vérifiez la tension d'entrée. Les câbles électriques sont bleus et bruns.
La pompe fonctionne en permanence.	<p>Vérifiez que le filtre est placé correctement. Le filtre à eau ne doit pas toucher le capteur numérique.</p> <p>Vérifiez sur le capteur numérique l'absence de saleté, de moisissures et de corps étrangers. Nettoyer avec de l'eau distillée. Si le résultat n'est pas satisfaisant, il faut le nettoyer avec un liquide à base d'alcool.</p> <p>Vérifiez tous les raccords de flexibles et assurez-vous que les embouts sont bien fixés et sécurisés avec des serre-câbles. Vérifiez l'absence de bouchons et de points de torsion tout le long de la conduite d'évacuation et vérifiez que le flexible n'est pas coincé.</p> <p>Si la pompe fonctionne en permanence et que de l'eau s'écoule de l'extrémité de la conduite d'évacuation, vous devez modifier le réglage de puissance de l'interrupteur DIP pour augmenter la puissance de la pompe. La quantité d'eau ou la hauteur de refoulement est trop importante pour la puissance de pompage actuellement réglée.</p>
L'installation de climatisation ne fonctionne pas	<p>Vérifiez l'affichage d'état à LED de la pompe. S'il est allumé en permanence en rouge (ne clignote pas) ET que le câble d'alarme est branché correctement, le relais d'alarme de la pompe empêche volontairement le fonctionnement de l'installation de climatisation. Et ce, pour prévenir un débordement d'eau et d'éventuels dommages. Cela correspond au mode de fonctionnement correct d'un relais d'alarme de pompe.</p> <p>Si le câble d'alarme est utilisé, vérifiez le fusible d'alarme HRC à l'aide d'un multimètre et remplacez-le le cas échéant. Un contrôle visuel permet de vérifier les fusibles enrobés de verre.</p> <p>Si le câblage alarme a été utilisé, vérifiez que la pompe soit en défaut Mode.</p> <p>Si le câble d'alarme est utilisé et que le câblage est correct, vérifiez l'affichage d'état à LED. S'il est ÉTEINT et qu'aucune LED n'est allumée, l'erreur réside soit dans l'alimentation électrique principale soit dans la pompe elle-même.</p> <p>En mode alarme, la pompe continue de fonctionner pour faire baisser le niveau d'eau même lorsque l'installation de climatisation est éteinte. Dès que le niveau d'eau est suffisamment bas, la pompe réinitialise automatiquement le relais d'alarme afin que l'installation de climatisation soit à nouveau alimentée en électricité. Remarque : De nombreuses installations extérieures disposent d'une temporisation de 5 minutes avant la remise en marche du compresseur et la reprise du fonctionnement normal de la climatisation.</p>
Le climatiseur éteint la pompe (la pompe s'éteint lorsque le climatiseur est allumé):	Vérifiez si le climatiseur est équipé d'un purificateur d'air (ioniseur) ou d'un autre composant susceptible qui peut générer un champ électromagnétique à haute fréquence. Si le capteur d'eau est situé à proximité de cet appareil, changez l'emplacement du capteur le plus loin possible de la source potentielle d'interférence. Par exemple, si l'ioniseur se trouve sur le côté gauche du climatiseur, déplacez le capteur aussi loin que possible vers la droite. Assurez-vous ensuite que la pompe fonctionne sans interférence dès que le climatiseur est allumé.
L'alarme est activée	Lorsque l'alarme est activée (la LED est rouge en permanence), l'arrivée d'eau dans la pompe est trop importante et la pompe ne peut plus la gérer. Dès que le capteur numérique mesure un niveau d'eau trop important, il déclenche le relais d'alarme et interrompt l'alimentation électrique de l'installation de climatisation (seulement lorsque le câble d'alarme est utilisé). La conduite d'évacuation est peut-être bouchée, tordue ou coincée. En outre, il se peut que la puissance de la pompe n'ait pas été correctement réglée par rapport à la puissance de l'installation de climatisation ou au parcours de refoulement vertical important.
De l'eau goutte hors de la pompe	<p>Assurez-vous que le câble d'alarme est raccordé correctement conformément au schéma des connexions correspondant. Remarque : Il existe un schéma de connexion différent pour chaque type d'installation de climatisation.</p> <p>La pompe peut déborder si la fonction d'alarme n'est pas utilisée et que la conduite d'évacuation est bouchée, tordue ou coincée. Par conséquent, vous devez toujours utiliser la fonction d'alarme.</p> <p>Vérifiez toutes les liaisons de flexibles. Avec une pression de refoulement élevée (parcours de refoulement vertical long), la pression de l'eau peut détacher le flexible de l'embout. Par conséquent, vous devez toujours utiliser les serres-câbles fournis à la livraison.</p>
La pompe est bruyante	Vérifiez que le filtre est placé correctement. Si le filtre à eau touche le capteur numérique, celui-ci considère qu'il s'agit d'eau et active la pompe, laquelle fonctionne à sec alors qu'elle ne devrait pas.

Nettoyez le capteur numérique et le filtre avec de l'eau.

Réglez la puissance de pompage en fonction de la puissance de l'installation de climatisation ainsi que de l'inclinaison et du parcours de la conduite d'évacuation (voir le réglage de l'interrupteur DIP dans le guide d'installation).

Sirotements / gargouillements

Éliminez un éventuel effet de siphon dans la conduite d'évacuation. Si la conduite d'évacuation passe sous la pompe, le poids de l'eau qui reste dans la conduite d'évacuation après la mise hors tension de la pompe, fait l'effet d'un siphon. De l'eau est ainsi aspirée hors de la pompe, celle-ci démarre et fonctionne à sec jusqu'à ce que de l'eau soit à nouveau alimentée. Il peut en résulter des bruits de sirotement et de gargouillement. Montez la conduite d'évacuation correctement pour éviter tout effet de siphon.

Les voyants LED clignotent

Après la mise en marche, le voyant LED de la pompe clignote 5 fois et passe ensuite en mode Standby (clignotant vert). Cela correspond à un mode de fonctionnement correct. Cette séquence de démarrage de LED est la seule indication pour savoir si l'alarme est actuellement configurée pour le Mode par Défaut ou Périphérique. Le relais d'alarme peut être configuré individuellement et peut être monté en va-et-vient (voir indications sur le schéma des connexions).

La LED clignote 3 fois en rouge & 3 fois en vert

Il s'agit du signal de nouvelle configuration de la pompe. La pompe a besoin d'aide ! Lorsque la pompe passe du mode Standby au mode alarme pendant 3 cycles longs successifs, elle indique que le réglage actuel de la puissance de l'interrupteur DIP pour l'arrivée d'eau, la hauteur de refoulement ou les deux est trop bas et qu'il doit être augmenté.

Augmentez la puissance de la pompe à l'aide de l'interrupteur DIP. Le signal de nouvelle configuration apparaît seulement lorsque le mode alarme s'est commuté pendant 3 cycles longs successifs.

Pièces de rechange et accessoires



HSG-4065/4
Dispositif Stop-Siphon, 4 pcs.
Part No 3004065



FIL-4063/4
Filtres, 4 pcs.
Part No 3004063



FUS-4180/10
Fusibles 5x20 6.3A, 10 pcs.
Part No 3004180



KIT-4087
Tuyaux de condensats étoilé et clapets anti-retour
Part No 3004087



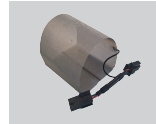
PVC-TUBE
Tube plastique 6 mm (1/4"),
minimum 30 meters
Part No 4679160



COMBI-SEN
Capteur d'eau de réserve pour COMBI
Part No 3004113



IN-LINE FILTER
Filtre pour l'eau de condensation
Part No 4678597

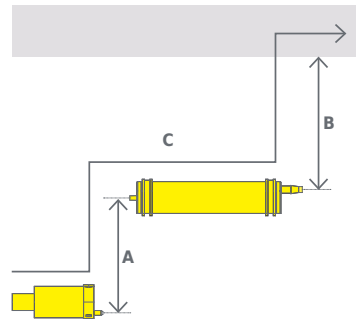


COMBI-SHIELD
Protection du capteur contre
les interférences électroniques
Part No 3004187

Annexe

Débit corrigé en fonction de l'installation l/h 1/4" (6 mm) flexible de sortie à pleine puissance

Aspiration	A	B	C				
			Longueur totale (course) mètres				
		Refolement (niveau) m	5	10	15	20	30
0.0 m		0	42	42	40	40	40
		1 (3.3ft.)	42	42	40	40	36
		3 (9.9 ft.)	37	37	35	35	34
		5 (16.4 ft.)	31	30	29	29	29
		10 (32.8 ft.)	17	16	15	14	14
		15 (49.2 ft.)	9	9	9	9	8
1.0 m (3.3 Ft.)		20 (65.6 ft.)				8	7
		0	42	42	42	40	40
		1 (3.3ft.)	42	42	42	40	39
		3 (9.9 ft.)	36	36	35	35	34
		5 (16.4 ft.)	30	30	29	29	29
		10 (32.8 ft.)	16	16	16	16	15
2.0 m (6.6 Ft.)		15 (49.2 ft.)	10	10	10	10	10
		20 (65.6 ft.)				7	9
		0	35	35	35	35	34
		1 (3.3ft.)	33	33	33	32	31
		3 (9.9 ft.)	33	32	31	31	30
		5 (16.4 ft.)	27	26	26	26	25
3.0 m (9.9 Ft.)		10 (32.8 ft.)	17	17	16	16	15
		15 (49.2 ft.)	10	10	10	9	9
		20 (65.6 ft.)				5	5
		0	30	30	30	30	29
		1 (3.3ft.)	28	28	28	28	27
		3 (9.9 ft.)	28	28	28	27	26
3.0 m (9.9 Ft.)		5 (16.4 ft.)	23	23	23	23	22
		10 (32.8 ft.)	15	15	15	15	15
		15 (49.2 ft.)	7	7	6	5	5



Formule de conversion pour Gallons US / Hr:

_____ L/Hr. x 0.264 = _____ G/Hr.

Contents

Introduzione	48
Informazioni generali	48
Avvisi importanti di sicurezza	48
Dati tecnici	49
Descrizione del prodotto	50
Trasporto e stoccaggio	52
Messa in funzione	52
Manutenzione	60
Restituzione e smaltimento	60
Risoluzione dei problemi	61
Parti di ricambio e accessori	63



Prima di iniziare, leggere tutte le istruzioni di sicurezza e installazione.



Rifiuti di apparecchiature elettriche ed elettroniche (RAEE)
Non gettare la pompa tra i rifiuti domestici



Conformità CE / Conformità UKCA
Marchio di certificazione che indica la conformità agli standard sulla tutela della salute, della sicurezza e dell'ambiente applicabili ai prodotti



Conformità RoHS



Marchio di conformità alle normative (RCM)
Conforme ai requisiti di sicurezza elettrica dell'Australia e della Nuova Zelanda



Componente omologato ETL
Questo prodotto è stato testato ed è risultato conforme allo standard pubblicato applicabile per il Nord America e il Canada

Introduzione

Grazie per aver acquistato la nostra nuova pompa per condensa Combi. La pompa Combi è stata completamente riprogettata, mantenendo tutte le caratteristiche già apprezzate e migliorando tutto il resto. Il sensore digitale del livello dell'acqua, il voltaggio universale e il flusso configurabile dall'utente ne fanno la pompa per condensa da montarsi sotto il condizionatore più robusta e silenziosa tra quelle presenti oggi sul mercato.

Informazioni generali

I prodotti REFCO sono stati progettati e costruiti per essere utilizzati esclusivamente da tecnici dell'assistenza specializzati in impianti di refrigerazione e condizionamento. REFCO dispone espressamente che i suoi prodotti siano venduti esclusivamente a professionisti dell'assistenza specializzati.

Le presenti istruzioni per l'uso contengono informazioni importanti su come maneggiare la pompa Combi. La sicurezza del funzionamento del dispositivo presuppone il rispetto di tutte le istruzioni di sicurezza e delle direttive sul funzionamento.

- Oltre alle direttive di sicurezza generali, dovranno essere rispettati anche i regolamenti locali in materia di sicurezza applicabili all'area in cui si utilizza la Combi.
- Le istruzioni per l'uso sono parte del prodotto e devono essere conservate nelle immediate vicinanze della Combi, dove possano essere accessibili al personale qualificato in qualunque momento.
- Il personale qualificato deve aver letto attentamente e compreso le istruzioni per l'uso prima di utilizzare il dispositivo.
- Il produttore declina ogni responsabilità per eventuali danni di qualsiasi natura dovuti all'utilizzo non conforme, al mancato rispetto delle presenti istruzioni per l'uso, all'impiego di personale non sufficientemente qualificato nonché a modifiche apportate di propria iniziativa sulla Combi.
- Si applicano i termini e le condizioni generali definiti nella documentazione commerciale.

Simboli e standard redazionali



AVVERTENZA/ATTENZIONE:
Seguire l'istruzione di sicurezza specifica o prestare attenzione a un potenziale rischio.



TENSIONE PERICOLOSA
Indica i rischi derivanti da tensioni pericolose.



Prima di iniziare, leggere tutte le istruzioni di sicurezza e installazione. Per prevenire ogni rischio, l'installazione di questo prodotto è riservata a personale certificato e appositamente addestrato, dotato di strumenti adeguati. Sia l'installazione del prodotto che i collegamenti elettrici richiedono una formazione professionale che tratti la sicurezza delle procedure di installazione e il corretto funzionamento del prodotto.

Questo elettrodomestico non è destinato ad essere utilizzato da persone (bambini inclusi) con ridotte capacità fisiche, sensoriali o mentali, senza esperienza o non in possesso delle dovute conoscenze, senza la supervisione o l'addestramento da parte di una persona responsabile per la loro sicurezza. Controllare i bambini per evitare che giochino con l'elettrodomestico.

Conservare le presenti istruzioni per la consultazione.



Solo per uso interno. Questa attrezzatura elettrica è destinata principalmente all'uso interno. Non sommergibile.

La pompa per condensa Combi deve essere installata conformemente alle normative elettriche locali e regionali.



AVVERTENZA: scollegare tutte le fonti di alimentazione elettrica prima di iniziare l'intervento di installazione, manutenzione o assistenza.



AVVERTENZA: scollegare l'alimentazione elettrica prima di togliere e controllare il fusibile interno.



ATTENZIONE: non installare la pompa per condensa REFCO se si notano segni di danneggiamenti.



AVVERTENZA: controllare i cavi di alimentazione della pompa per condensa REFCO e i cavi dell'allarme prima dell'installazione, durante l'installazione e successivamente a intervalli regolari, per individuare eventuali segni di danneggiamenti. Se il cavo di alimentazione o quello dell'allarme sono danneggiati, isolare la pompa per condensa e scollegarla dalla rete elettrica. Contattare REFCO per la sostituzione.

La terminazione di uscita combinata del cavo di alimentazione e del cavo dell'allarme della Combi non è sostituibile. Se si danneggia questo pezzo, è necessario sostituire l'intera pompa.



AVVERTENZA: non tagliare i cavi della pompa per condensa REFCO e posarli in modo che non possano danneggiarsi durante e dopo l'installazione.

ATTENZIONE: tutti gli attacchi dei tubi devono essere fissati sui giunti utilizzando delle fascette stringicavo autobloccanti.

NON usare strumenti per collegare i tubi.

NON far funzionare il prodotto a temperatura ambiente inferiore a 5 °C (41 °F).

NON far funzionare con acqua in ingresso di temperatura superiore a 40 °C (104 °F).

ATTENZIONE: evitare che sostanze chimiche vengano a contatto con questa pompa per condensa. Prima di utilizzare soluzioni detergenti e altre sostanze chimiche per la bobina, togliere la pompa e il sensore del livello dell'acqua. Sciacquare le bobine dell'evaporatore con acqua prima di riinstallare la pompa e il sensore del livello dell'acqua. Assicurarsi che le bobine siano prive di sostanze chimiche prima di riinstallarle.

ATTENZIONE: Questo dispositivo ha una connessione messa a terra che è solo per uso funzionale.



Il cavo di alimentazione  non deve essere sottoposto a trazione.




Il cavo dell'allarme  e il cavo di alimentazione devono essere completamente inseriti nella presa a jack.






Utilizzare esclusivamente cavi di alimentazione  e cavi dell'allarme  originali.

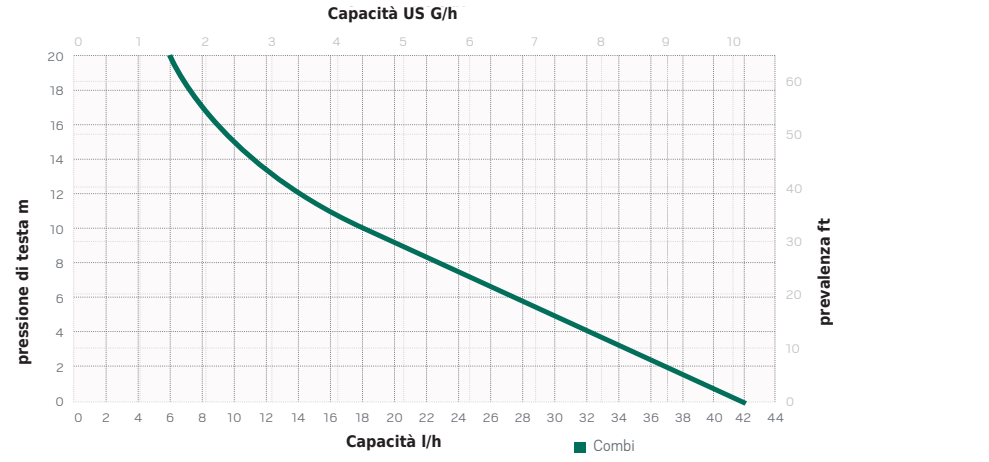
Dati tecnici

Portata massima:	42 l/Hr. (11 GPH)
Aspirazione massima:	3 m (9,80 ft.) autoadescante
Prevalenza massima:	20 m (65.60 ft.)
Corsa orizzontale massima:	100 m (330 ft.) a prevalenza 0 e aspirazione 0
Rumorosità:	20dBA a 1 m DIN EN ISO 3741:2011 / DIN EN ISO 3744:2010
Tensione:	100 – 240 VCA 50/60 Hz ingresso di alimentazione universale a rilevamento automatico
Potenza:	8 W con funzionamento massimo a 110 V
Relè di allarme:	contatti da 7A con fusibile 5 x 20 mm da 6.3A integrato e sostituibile
Peso:	1.000 g (2,2 lb.)
Tubo stellare di scarico:	6,25 mm diam. int. (1/4") x 1 m (3,3 ft.)
Dimensioni confezione:	250 x 340 x 54 mm (9,9 x 13,4 x 2,1")
Dimensioni confezione multipla	per 10 pezzi 590 x 265 x 365 mm (23,2 x 10,4 x 14,4")
Colore:	RAL #7040 Grigio e RAL #1023 Giallo
Classe di protezione:	Completamente sigillata, IP 44
Temp. di funzionamento:	ambiente da 5°C a 40°C (da 41°F a 104°F) / acqua da 5°C a 40°C (da 41°F a 104°F)
Conformità:	Conforme alla norma UL 778, CSA C22.2 #108 e UL 2043 (plenum rated)

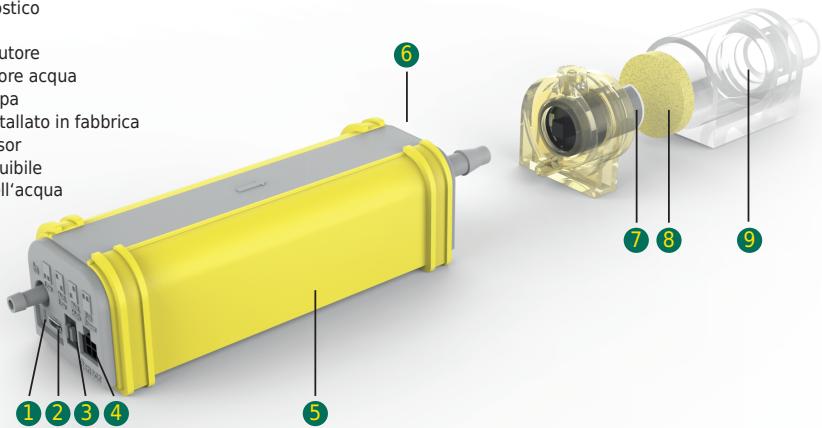




Capacità



Descrizione del prodotto

- 1 LED diagnostico
- 2 Porta USB
- 3 Microinterruttore
- 4 Spina sensore acqua
- 5 Corpo pompa
- 6 Fusibile installato in fabbrica
- 7 Digital sensor
- 8 Filtro sostituibile
- 9 Sensore dell'acqua



Dimensioni pompa



Accessori forniti

- 10 Cavore sensore
No. d'ordine 4687950
- 11 Cavo di alimentazione
Tipo: SVT 18AWG*3C Cable
+H05VV-F 3G 0.75mm²
No. d'ordine 3004139
- 12 Cavo di allarme
No. d'ordine 3004166
- 13 Tubo di aspirazione
No. d'ordine 3004034
- 14 Tubo stellare e dispositivo di arresto sifone
No. d'ordine 3004065
- 15 Fusibile installato in fabbrica, 5x20mm
No. d'ordine 3004180
- 16 Tubo di ventilazione
No. d'ordine 3004033
- 17 Fascette, 3 pezzi
- 18 Combi-Sen
No. d'ordine 3004113

Indicazioni LED del relè di allarme

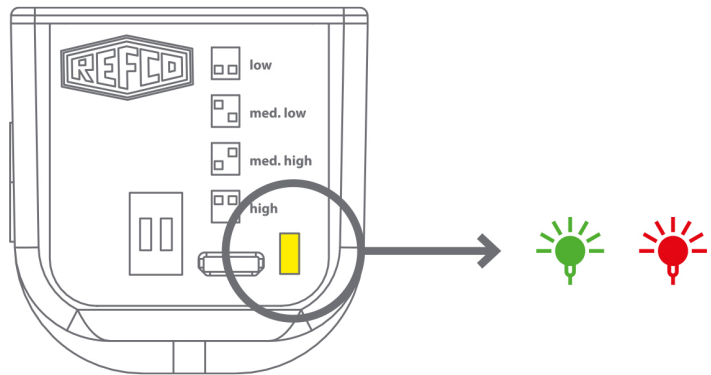


















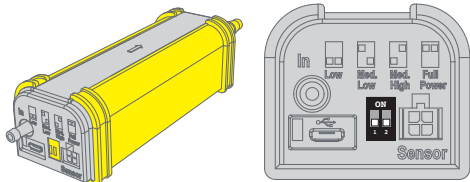
Tabella di funzionamento del relè dell' allarme LED

Sequenza di avvio			
		(normalmente chiuso)	(normalmente aperto)
Stato della pompa	Livello di condensa	Modalità predefinita	Modalità periferica
Non alimentato	N/A	NC  COM	NC  COM
Alimentato	Sotto il livello di allarme	NC  COM	NC  COM
Alimentato	Allarme attivato	NC  COM	NC  COM

* L'operazione di allarme è configurabile dall' utente, vedere pagina 55/56 *

Indicazioni LED durante il funzionamento

Nessuna alimentazione		La pompa è errata o nessuna tensione ingresso. Problema con sistema A / C o allarme è errato.
Avviare la sequenza LED (predefinito)		I lampeggi alternati di rosso / verde 5 x solo allora si ferma e si passa alla modalità standby.
Avviare la sequenza LED (Modalità periferica)		I lampeggi alternati di rosso / verde 5 x solo allora si ferma e si passa alla modalità standby.
Modalità standby - Attesa dell' acqua		Lampeggiante continuamente verde.
Acqua di pompaggio		Verde monocromatico. Funziona a bassa, media, media o alta potenza. Normale funzionamento.
Alta modalità di livello dell'acqua		Rosso lampeggiante. Funzionando su alto livello dell'acqua.
Modalità allarme - relè attivato		Rosso. La pompa non può tenere il passo con l'ingresso dell'acqua. Per prevenire il sovraccarico dell'acqua, spegnere l'alimentazione del condizionatore fino a quando il livello dell'acqua è sceso.
Riconfigurare il codice		La pompa ha 3 cicli di lunga durata, riconfigurare gli interruttori DIP per una maggiore capacità.



Impostazione di fabbrica



basso
fino a 18K Btu/h
(5.3kW)



medio basso
fino a 42K Btu/h
(12kW)



medio alto
fino a 72K Btu/h
(21.1kW)



alto
fino a 120K Btu/h
(35kW)



Valutazioni del condizionatore d'aria

La capacità della pompa della condensa deve essere impostata in base alla capacità del condizionatore d'aria.

Trasporto e stoccaggio

Trasporto

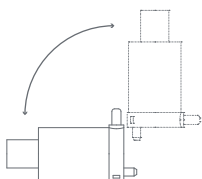
Controllare che la Combi non presenti segni di potenziali danni da trasporto. Ogni danno evidente deve essere segnalato immediatamente al fornitore.

Stoccaggio

- Temperatura di stoccaggio: da -20 °C a +60 °C
- Umidità: da 0 a 90 % di umidità relativa (senza condensa)

Messa in funzione

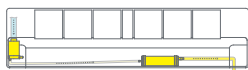
Configurazione



Il sensore dell'acqua può essere utilizzato orizzontalmente o verticalmente.



Sensore dell'acqua e pompa nell'unità AC accanto



Sensore acqua verticale e pompa nell'unità AC

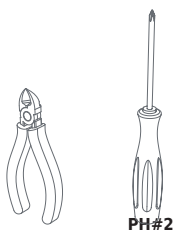


Sensore di acqua nel condizionatore d'aria, pompa nel soffitto

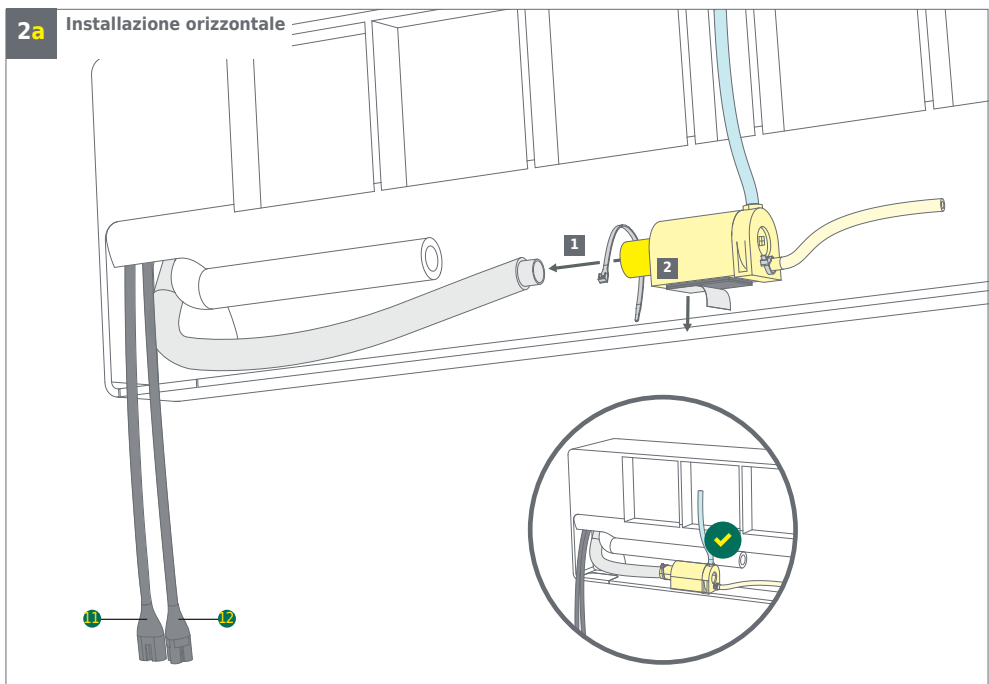
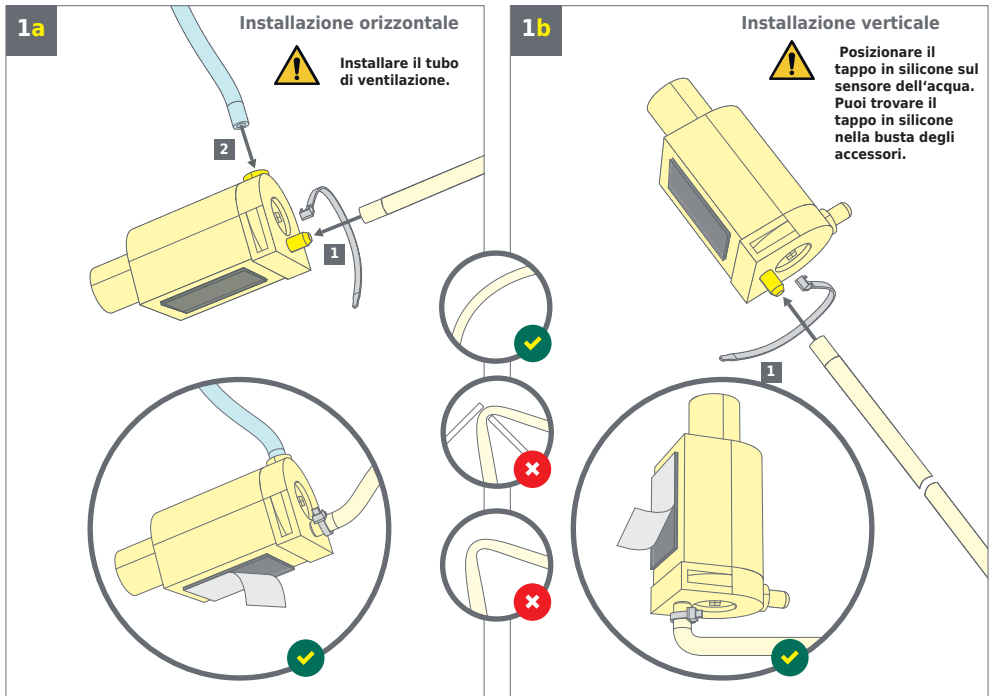


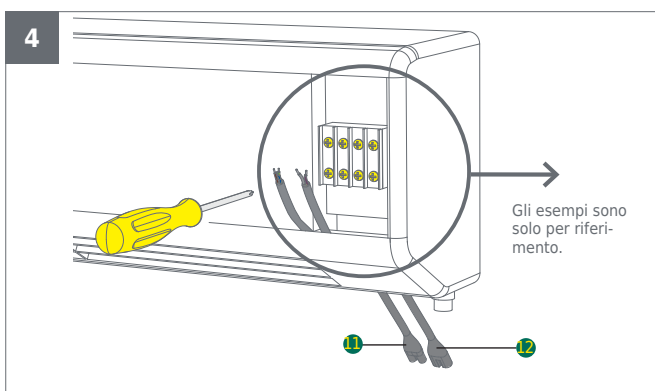
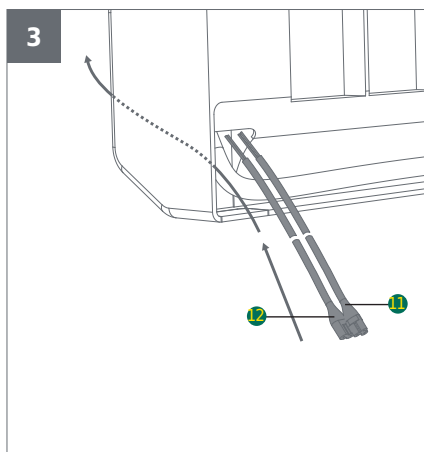
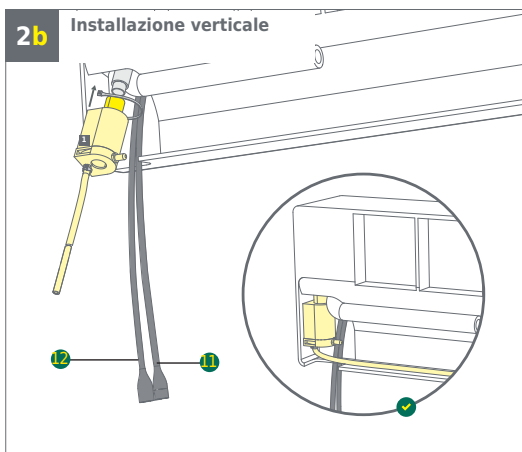
Sensore dell'acqua nell'unità AC e pompa all'esterno dell'unità

Strumenti necessari



PH#2



**AVVERTENZA:**

Scollegare tutte le fonti di alimentazione elettrica prima di iniziare l'intervento di installazione, manutenzione o assistenza.



L'installazione deve essere eseguita esclusivamente da personale qualificato.



I collegamenti a contatto devono essere completamente asciutti.



ALIMENTAZIONE D'INGRESSO:
100-240V, 50/60Hz, 2,5A (max)



Il fusibile del relè di allarme deve essere del tipo HRC, 5 x 20mm 250 VCA, 6.3A (max), da calcolarsi per l'applicazione specifica



Questo dispositivo ha una connessione messa a terra che è solo per uso funzionale



Si prega di notare che alcuni condizionatori d'aria sono dotati di componenti che generano un campo elettromagnetico ad alta frequenza, come ad esempio un purificatore d'aria che può interferire con il sensore digitale dell'acqua. Si consiglia di posizionare il sensore il più lontano possibile da tale dispositivo e di controllare il funzionamento della pompa della condensa non appena si accende il condizionatore d'aria.

Se ciò non fosse possibile, si consiglia di utilizzare il COMBI-SHIELD, il sensore di protezione dalle interferenze elettronici. Vedete anche i pezzi di ricambio e accessori.

Riportiamo alcuni esempi di possibili installazioni delle pompe REFCO (solo a titolo di riferimento).

Quando l'unità di evaporazione dell' interno viene alimentata dall'unità esterna del condensatore (disegno # 1)

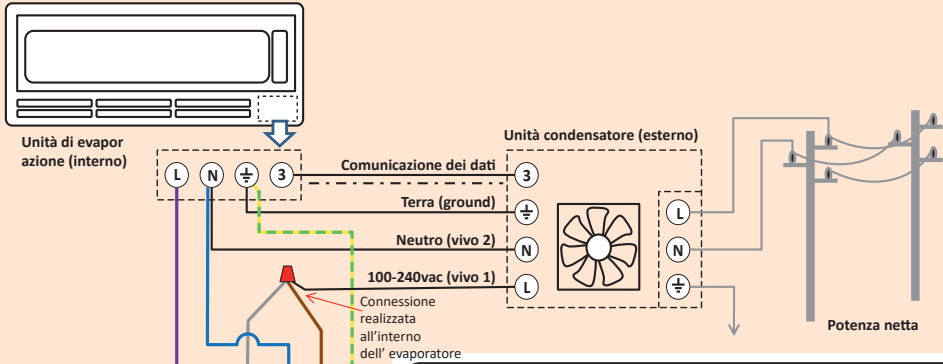


Tabella di funzionamento del relè di allarme

Power up LED flash sequence			
Stato della pompa	Livello di condensa	Modalità predefinita	Modalità periferica
Disattivato o (guasto della pompa)	n/a	NC COM	NC COM
Alimentato	Sotto il livello di allarme	NC COM	NC COM
Alimentato	Allarme attivato	NC COM	NC COM

Come modificare l'operazione del relè di allarme

1. Scollegare la pompa
2. Spostare le posizioni dip-switch su
3. Inserire la pompa
4. Attendere che un LED verde lampeggia
5. Spostare le posizioni dip-switch su
6. Attendere che un LED rosso lampeggia
7. Azzerare le posizioni dei dip-switch su
8. Attendere che un LED verde lampeggia
9. Scollegare la pompa
10. Riposizionare gli interruttori DIP alla configurazione della capacità desiderata. (Bassa, media-bassa, media-alta, alta)
11. Inserire la pompa e verificare che la sequenza di accensione LED corrisponda al funzionamento del relè di allarme desiderato
12. Fatto!

* Per reimpostare il relè di allarme sull'operazione default (NC) ripetere i passi da 1 a 11

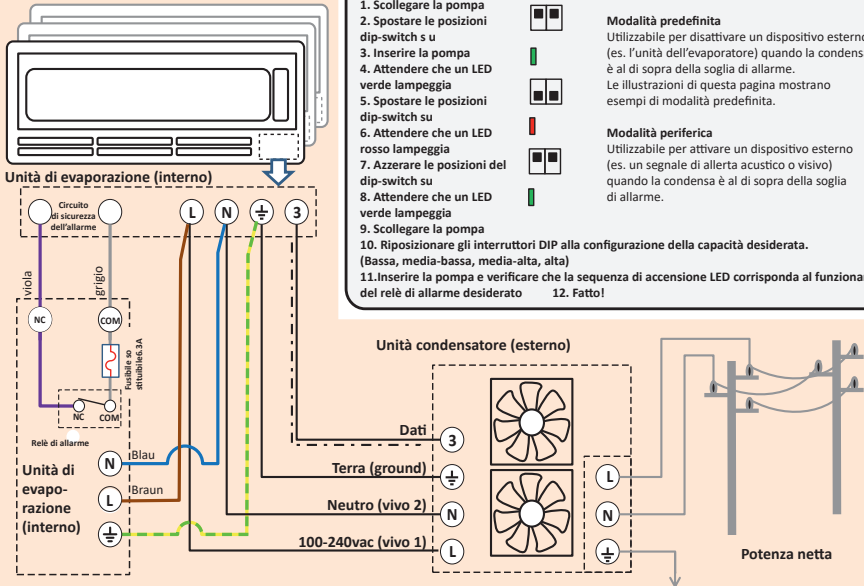
Modalità predefinita

Utilizzabile per disattivare un dispositivo esterno (es. l'unità dell'evaporatore) quando la condensa è al di sopra della soglia di allarme. Le illustrazioni di questa pagina mostrano esempi di modalità predefinita.

Modalità periferica

Utilizzabile per attivare un dispositivo esterno (es. un segnale di allerta acustico o visivo) quando la condensa è al di sopra della soglia di allarme.

Quando è installato un sistema multi-split (disegno # 2)



Di seguito sono riportati esempi di installazione di pompe REFCO. Solo per riferimento.

Quando il condensatore esterno viene alimentato dall'unità di evaporatore dell'interno (disegno # 3)

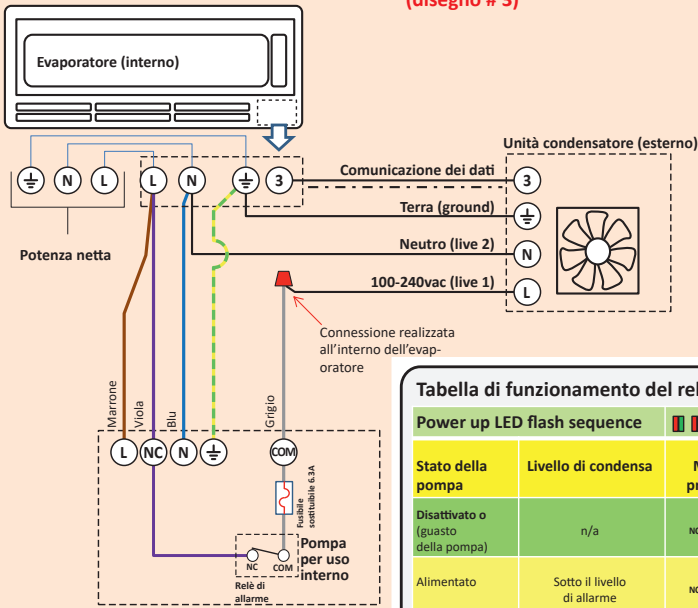


Tabella di funzionamento del relè di allarme

Power up LED flash sequence			
Stato della pompa	Livello di condensa	Modalità predefinita	Modalità periferica
Disattivato o (guasto della pompa)	n/a	NC COM	NC COM
Alimentato	Sotto il livello di allarme	NC COM	NC COM
Alimentato	Allarme attivato	NC COM	NC COM

Come modificare l'operazione del relè di allarme

1. Scollegare la pompa
2. Spostare le posizioni dip-switch s u
3. Inserire la pompa
4. Attendere che un LED verde lampeggia
5. Spostare le posizioni dip-switch su
6. Attendere che un LED rosso lampeggia
7. Azzerare le posizioni del dip-switch su
8. Attendere che un LED verde lampeggia
9. Scollegare la pompa
10. Riposizionare gli interruttori DIP alla configurazione della capacità desiderata. (Bassa, media-bassa, media-alta, alta)
11. Inserire la pompa e verificare che la sequenza di accensione LED corrisponda al funzionamento del relè di allarme desiderato
12. Fatto!

* Per reimpostare il relè di allarme sull'operazione default (NC) ripetere i passi da 1 a 11

Modalità predefinita

Utilizzabile per disattivare un dispositivo esterno (es. l'unità dell'evaporatore) quando la condensa è al di sopra della soglia di allarme. Le illustrazioni di questa pagina mostrano esempi di modalità predefinita.

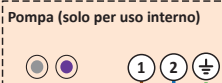
Modalità periferica

Utilizzabile per attivare un dispositivo esterno (es. un segnale di allerta acustico o visivo) quando la condensa è al di sopra della soglia di allarme.

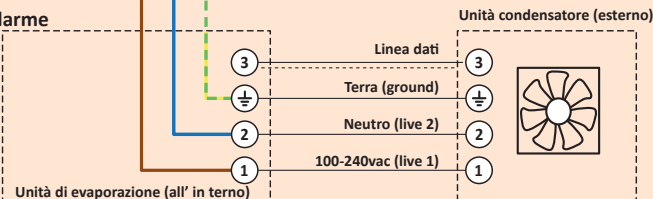
Alimentazione solo senza circuito di allarme (disegno # 4)

Non consigliato:

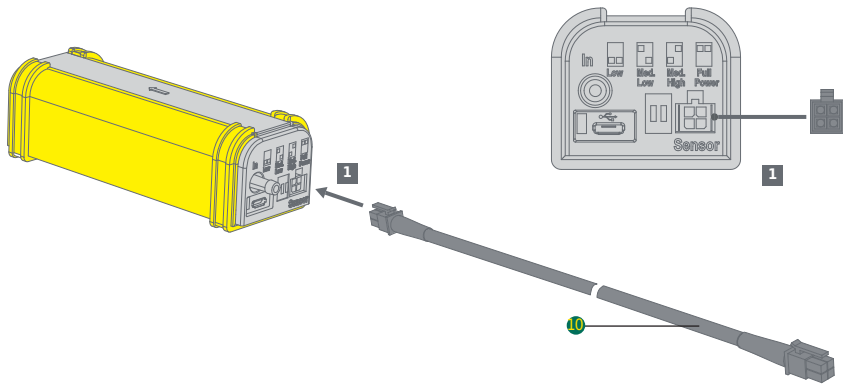
Il danneggiamento dell'acqua può verificarsi se la linea di scarico è schiacciata, pizzicata o intasata. Il danneggiamento dell'acqua può verificarsi se la pompa non riesce. Il danneggiamento dell'acqua può verificarsi se la linea di scarico è schiacciata, pizzicata o intasata. Il danneggiamento dell'acqua può verificarsi se la pompa non riesce.



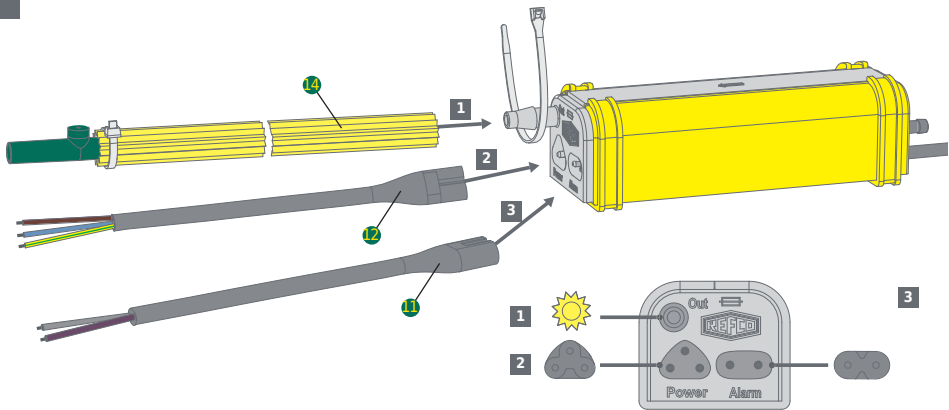
Cavo di allarme non utilizzato






5

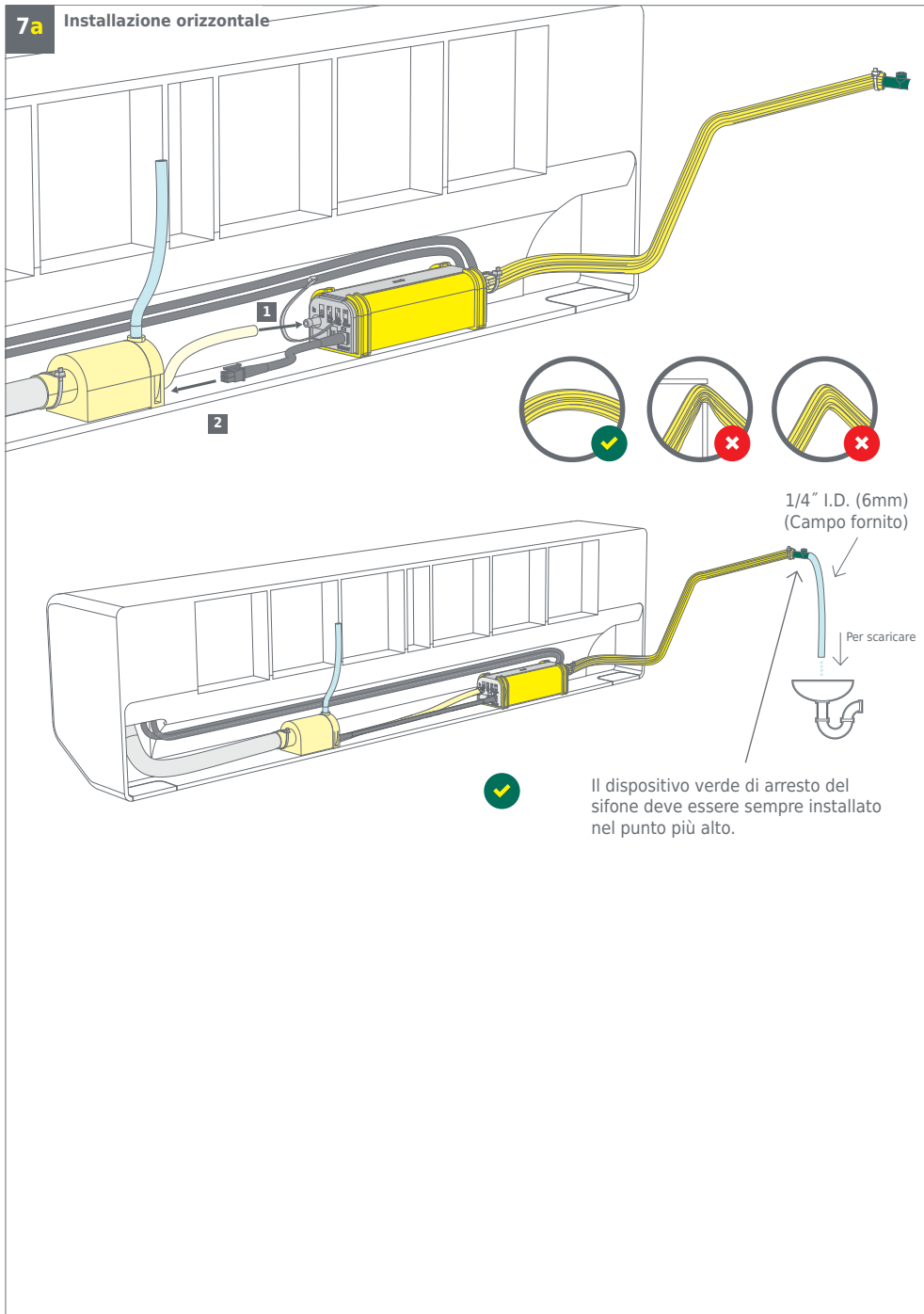


6

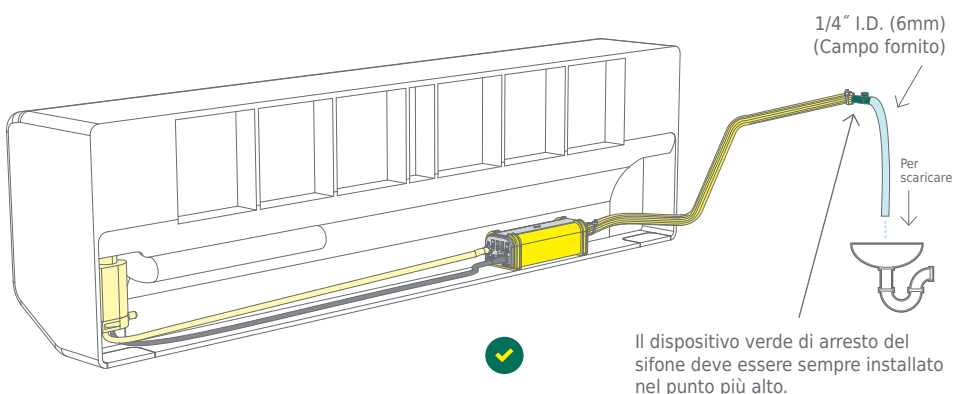
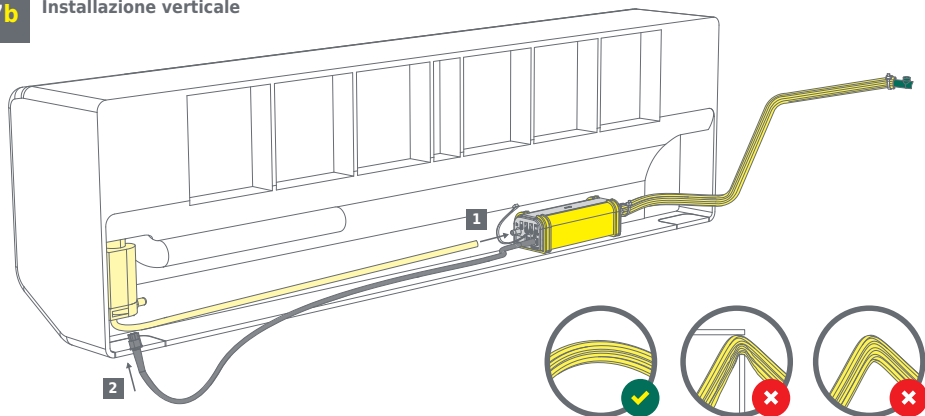


-  Il cavo di alimentazione non deve essere sottoposto a trazione.
-  Il cavo dell'allarme e il cavo di alimentazione devono essere completamente inseriti nella presa a jack.
-  Utilizzare esclusivamente cavi di alimentazione e cavi dell'allarme originali.

7a Installazione orizzontale



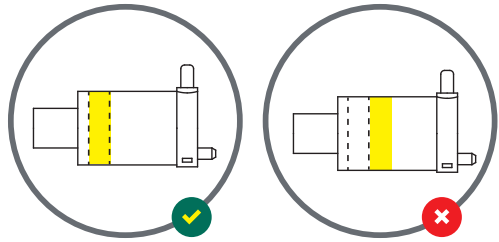
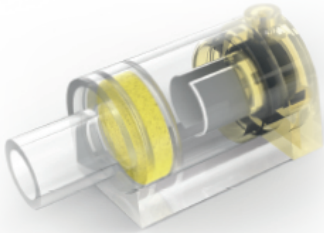
7b Installazione verticale



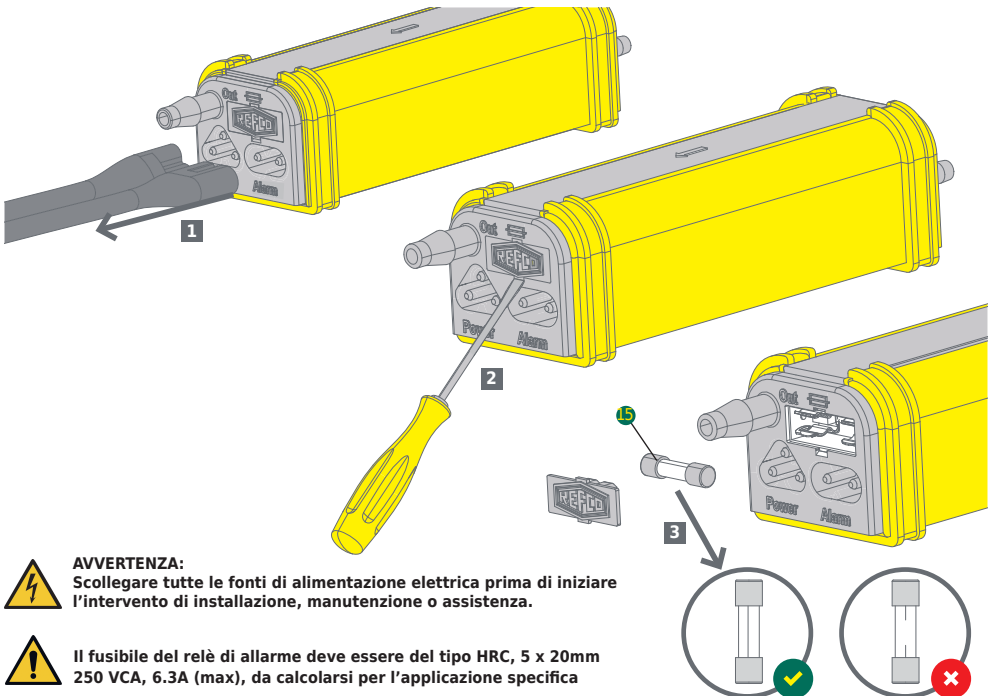
Manutenzione

Manutenzione del filtro dell'acqua

La regolare pulizia e sostituzione del filtro dell'acqua Combi aiuterà a prolungare la vita utile della pompa. L'unico scopo del filtro dell'acqua è di impedire che residui esterni penetrino all'interno della pompa stessa. Gli intervalli di manutenzione del filtro dipendono dall'ambiente specifico in cui si installa la pompa. Si consiglia di pulire o sostituire il filtro dell'acqua almeno ogni 12 mesi. Se tuttavia la pompa è installata in ambienti ad alto contenuto di polvere, fumo, oli di cottura o con probabile formazione di alghe, si consiglia di pulire o sostituire il filtro ogni 3 mesi. Per pulire / sostituire il filtro dell'acqua, basta toglierlo dal corpo del sensore, lavarlo accuratamente con acqua fredda e riposizionarlo **tra le due** flange interne di fissaggio del corpo del sensore come mostrato nella figura seguente.



Sostituzione del fusibile dell'allarme



AVVERTENZA:
Scollegare tutte le fonti di alimentazione elettrica prima di iniziare l'intervento di installazione, manutenzione o assistenza.



Il fusibile del relè di allarme deve essere del tipo HRC, 5 x 20mm 250 VCA, 6.3A (max), da calcolarsi per l'applicazione specifica



L'installazione deve essere eseguita esclusivamente da personale qualificato.

Restituzione e smaltimento

Alla fine della sua vita utile, conferire la pompa per condensa nella raccolta differenziata dei dispositivi elettrici ed elettronici (attenersi alle normative locali).

Risoluzione dei problemi

Difetto	Correzione
Luci LED spente	Controllare la tensione di ingresso. I fili blu e marrone sono destinati all'alimentazione.
La pompa è costantemente in funzione	<p>Controllare la posizione del filtro. Il filtro dell'acqua non deve toccare il sensore digitale.</p> <p>Controllare che sul sensore digitale non vi siano sporcizia, muffa o detriti. Pulire con acqua distillata. Se il risultato non è soddisfacente, il sensore deve essere pulito con un liquido a base di alcol.</p> <p>Controllare tutti gli attacchi dei tubi e assicurarsi che siano ben premuti nei giunti e fissati con le fascette stringicavo. Controllare su tutta la linea di scarico che non vi siano tubi ostruiti, piegati o schiacciati.</p> <p>Se la pompa resta costantemente in funzione ed esce acqua dalla fine della linea di scarico, occorre cambiare le impostazioni di potenza dell'interruttore a immersione per aumentare la capacità della pompa. Il sistema ha troppa acqua o una prevalenza troppo alta per le attuali impostazioni di potenza della pompa.</p>
Il condizionatore è spento	<p>Controllare l'indicatore a LED dello stato della pompa. Se la luce è rossa e fissa (cioè non lampeggia) E i cavi dell'allarme sono collegati correttamente, il relè di allarme della pompa sta impedendo volutamente il funzionamento del condizionatore. Questo espediente previene lo straripamento dell'acqua e possibili danni conseguenti. È questa la funzione corretta di un relè di allarme di una pompa per la condensa.</p> <p>Se è stato utilizzato il cablaggio dell'allarme, controllare la continuità del fusibile dell'allarme HRC utilizzando un multimetro e, se necessario, sostituire il fusibile. I fusibili di vetro possono essere ispezionati con un semplice controllo visivo.</p> <p>Se viene utilizzato il cavo d'allarme, assicuratevi che la pompa sia in modalità standard.</p> <p>Se è stato utilizzato il cablaggio dell'allarme e i fili sono corretti, controllare il LED di stato; se è spento (OFF) e gli indicatori luminosi sono completamente spenti, c'è un guasto o nell'alimentazione elettrica della pompa o nella pompa stessa.</p> <p>In stato di allarme, la pompa stessa continuerà a funzionare per far scendere il livello dell'acqua, anche quando il condizionatore non è in funzione. Una volta abbassato a sufficienza il livello dell'acqua, la pompa eseguirà automaticamente il reset dell'allarme per ricollegare l'alimentazione elettrica al condizionatore. N.B. Molti condizionatori esterni prevedono un ritardo temporale di 5 minuti prima della riattivazione del compressore e del ripristino della normale funzione di raffreddamento.</p>
La pompa si spegne non appena si accende il condizionatore d'aria:	Controllate se il condizionatore è dotato di un purificatore d'aria (ionizzatore) o di un altro componente in grado di generare un campo elettromagnetico ad alta frequenza. Se il sensore dell'acqua è nelle vicinanze, spostare il sensore il più lontano possibile dalla sospetta fonte di interferenza. Ad esempio, se lo ionizzatore si trova sul lato sinistro del condizionatore, spostare il sensore il più possibile verso destra. Quindi assicurarsi che la pompa funzioni correttamente quando il condizionatore viene acceso.
Si attiva l'allarme	Se si attiva l'allarme (la luce LED è rossa e fissa), sta entrando troppa acqua nella pompa che non riesce a trattenerla. Quando l'acqua raggiunge un livello troppo alto nel sensore digitale, aziona il relè di allarme e interrompe l'alimentazione del sistema del condizionatore (solo se si utilizza il cablaggio dell'allarme). La linea di scarico potrebbe essere ostruita, piegata o schiacciata. È possibile che le impostazioni di capacità sulla pompa siano scorrette relativamente alla capacità del condizionatore o al valore di prevalenza.
C'è una perdita di acqua	<p>Controllare che il cavo dell'allarme sia installato correttamente come dai relativi schemi di cablaggio. N.B. Esistono diversi schemi, a seconda dei diversi tipi di sistemi di condizionamento.</p> <p>Se non si usa l'allarme e la linea di scarico si blocca, si piega o si schiaccia, la pompa può straripare. Ecco perché è opportuno usare sempre la funzione di allarme.</p> <p>Controllare tutti gli attacchi dei tubi. Se la pressione di prevalenza è alta (corsa verticale lunga), la pressione dell'acqua può far uscire un tubo dall'attacco. Ecco perché è opportuno usare sempre le fascette stringitubo fornite dalla fabbrica.</p>
La pompa è rumorosa	<p>Controllare la posizione del filtro. Se il filtro dell'acqua tocca il sensore digitale, questo può interpretare tale contatto come presenza di acqua e attivare la pompa, facendola girare a secco quando in realtà non dovrebbe entrare in funzione.</p> <p>Pulire con acqua il sensore digitale e il filtro.</p> <p>Configurare correttamente la capacità della pompa, in funzione della capacità del sistema di condizionamento, della prevalenza e della posa del tubo di scarico (vd. impostazioni dell'interruttore a immersione nelle istruzioni per l'installazione).</p>

Risucchio o rigurgito

Eliminare l'eventuale sifonaggio nella linea di scarico. Se la linea di scarico si estende al di sotto del livello della pompa, quando la pompa si disattiva, il peso dell'acqua che resta nella linea di scarico crea un sifonaggio che risucchia l'acqua dalla pompa. Questo fenomeno attiva la pompa che entra in funzione a secco finché non rientra acqua. Il fenomeno causa rumori di risucchio o rigurgito. Installare la linea di scarico correttamente per prevenire effetti di sifonaggio.

Luce LED verde lampeggiante

Subito dopo l'accensione le pompe mostrano sempre una sequenza di avvio dei LED che si accendono 5 volte, poi vanno in standby (luce verde lampeggiante). Questo è il funzionamento normale. L'unica indicazione se l'allarme è attualmente configurato per modalità standard oppure modalità periferica, è la sequenza sorgente LED. Il relè di allarme è configurabile dall'utente e può essere modificato da una modalità all'altra (si vedano le istruzioni dello schema di cablaggio).

3 lampeggiamenti luce LED rossa e 3 lampeggiamenti luce LED verde

Si tratta del codice di riconfigurazione della pompa. La pompa sta chiedendo aiuto! Se per 3 cicli consecutivi su corsa lunga passa dalla modalità standby alla modalità allarme, chiede di essere riconfigurata per avere maggiore potenza, poiché le impostazioni attuali di potenza dell'interruttore a immersione sono troppo basse per il flusso di acqua in entrata, per la prevalenza o per entrambi i parametri.

Darle maggiore potenza riconfigurando le impostazioni dell'interruttore a immersione. Questo codice di riconfigurazione appare solo dopo 3 cicli consecutivi su corsa lunga finiti in modalità allarme.

Parti di ricambio e accessori



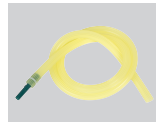
HSG-4065/4
Stop-Siphon Device, 4 pcs.
Part No 3004065



FIL-4063/4
Filter, 4 pcs.
Part No 3004063



FUS-4180/10
Fuses 5x20 6.3A, 10 pcs.
Part No 3004180



KIT-4087
Star tube with Stop-Siphon device
Part No 3004087



PVC-TUBE
Plastic tube 6 mm (1/4"),
minimum 30 meters
Part No 4679160



COMBI-SEN
Sensore di ricambio per COMBI
Part No 3004113



IN-LINE FILTER
Filtro per acqua di condensa
Part No 4678597

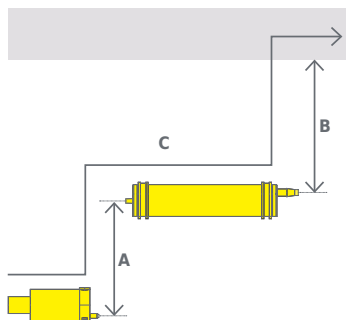


COMBI-SHIELD
Protezione del sensore dalle
interferenze elettroniche
Part No 3004187

Appendice

Flusso corretto in base all'installazione l/h. tubo di scarico 1/4" (6mm) @ piena potenza

Aspirazione	A	B	C				
			Lunghezza totale				
		Scarico m	5	10	15	20	30
0.0 m		0	42	42	40	40	40
		1 (3.3ft.)	42	42	40	40	36
		3 (9.9 ft.)	37	37	35	35	34
		5 (16.4 ft.)	31	30	29	29	29
		10 (32.8 ft.)	17	16	15	14	14
		15 (49.2 ft.)	9	9	9	9	8
1.0 m (3.3 Ft)		20 (65.6 ft.)					7
		0	42	42	42	40	40
		1 (3.3ft.)	42	42	42	40	39
		3 (9.9 ft.)	36	36	35	35	34
		5 (16.4 ft.)	30	30	29	29	29
		10 (32.8 ft.)	16	16	16	16	15
2.0 m (6.6 Ft.)		15 (49.2 ft.)	10	10	10	10	10
		20 (65.6 ft.)					7
		0	35	35	35	35	34
		1 (3.3ft.)	33	33	33	32	31
		3 (9.9 ft.)	33	32	31	31	30
		5 (16.4 ft.)	27	26	26	26	25
3.0 m (9.9 Ft.)		10 (32.8 ft.)	17	17	16	16	15
		15 (49.2 ft.)	10	10	10	9	9
		20 (65.6 ft.)					5
		0	30	30	30	30	29
		1 (3.3ft.)	28	28	28	28	27
		3 (9.9 ft.)	28	28	28	27	26
3.0 m (9.9 Ft.)		5 (16.4 ft.)	23	23	23	23	22
		10 (32.8 ft.)	15	15	15	15	15
		15 (49.2 ft.)	7	7	6	5	5



Formula di conversione per galloni US / Hr:

_____ L/Hr. x 0.264 = _____ G/Hr.

Contents

Introducción	64
Información general	64
Advertencias de seguridad importantes	64
Datos técnicos	65
Descripción del producto	66
Transporte y almacenamiento	68
Puesta en funcionamiento	68
Mantenimiento	76
Devolución y eliminación	76
Resolución de problemas	77
Recambios y accesorios	79

Introducción

¡Muchas gracias por adquirir nuestra nueva bomba de condensados Combi! El equipo Combi ha sido rediseñado completamente manteniendo sus mejores cualidades y optimizando las demás funciones. Su sensor de agua digital, su tensión universal y la posibilidad de configurar su caudal la convierten en la bomba de condensados para instalar bajo el aire acondicionado más potente y silenciosa disponible actualmente en el mercado.

Información general

Los productos REFCO han sido diseñados y fabricados especialmente para ser utilizados únicamente por técnicos expertos en refrigeración y climatización. REFCO indica expresamente que sus productos solo deben ser vendidos a expertos profesionales debidamente cualificados.

Estas instrucciones de uso contienen informaciones importantes sobre el manejo del equipo Combi. Para poder garantizar el uso seguro del equipo es imprescindible seguir todas las advertencias de seguridad e instrucciones de uso.

- Asimismo, deberán cumplirse todas las normas de seguridad laboral vigentes a nivel local o a nivel general para el ámbito de uso en el que se utilice el equipo Combi.
- El presente manual de uso forma parte del producto y debe mantenerse en todo momento cerca del equipo Combi y a mano del personal especializado que maneje el equipo.
- Dicho personal deberá leer atentamente y comprender las instrucciones de uso antes de utilizar por primera vez el equipo.
- El fabricante no se responsabiliza de los daños causados por un uso inadecuado del equipo, por el incumplimiento de estas instrucciones, por las actuaciones de personal no suficientemente cualificado, así como por la modificación no autorizada del equipo Combi.
- Será de aplicación las condiciones generales incluidas en la documentación de venta.

Símbolos y frases estándar



¡ADVERTENCIA! ¡PRECAUCIÓN!

Debe tenerse en cuenta una advertencia de seguridad o extremar las precauciones ante un riesgo potencial.



TENSIÓN PELIGROSA

Advierte de peligros derivados de una tensión peligrosa.



Lea atentamente todas las instrucciones y advertencias de seguridad antes de comenzar a utilizar el producto.



Directiva de Residuos de Aparatos Eléctricos y Electrónicos (WEEE) Este equipo eléctrico no puede ser desechado en la basura doméstica.



Declaración de conformidad CE / Declaración de conformidad UKCA

El equipo cumple con toda la legislación vigente en materia de salud, seguridad y protección medioambiental.



Conformidad con la directiva RoHS



Marcado RCM (Regulatory Compliance Mark)

El equipo cumple con toda la normativa vigente en Australia y Nueva Zelanda en materia de seguridad eléctrica.



Declaración de conformidad ETL

El equipo ha sido testado y cumple con toda la normativa aplicable en Estados Unidos y Canadá.

Advertencias de seguridad



Lea atentamente todas las advertencias de seguridad y las instrucciones de uso antes de comenzar a utilizar el producto. Para evitar

posibles riesgos, este producto solo puede ser instalado por personal debidamente cualificado que disponga de la formación técnica suficiente y de las herramientas necesarias. Para instalar el equipo y las conexiones eléctricas deberá poseerse la correspondiente formación específica con el objeto de garantizar la seguridad de la instalación y el correcto funcionamiento del equipo.

Este aparato no está destinado para ser utilizado por personas (niños incluidos) con capacidades físicas, sensoriales o mentales reducidas, o que carezcan de experiencia y conocimiento, a menos que reciban supervisión o instrucción respecto al uso del aparato por una persona responsable de su seguridad. Debe vigilarse a los niños para asegurarse de que no jueguen con el aparato.

Guarde estas instrucciones para consultas futuras.



Este equipo eléctrico ha sido diseñado fundamentalmente para ser utilizado en interiores. Producto no sumergible.

La bomba de condensados Combi debe instalarse siguiendo las normas para equipos eléctricos vigentes a nivel local y regional.



¡ADVERTENCIA! Desconecte la conexión eléctrica antes de comenzar a instalar el equipo o efectuar cualquier reparación o labor de mantenimiento.



¡ADVERTENCIA! Desconecte la conexión eléctrica antes de extraer e inspeccionar el fusible interno.



¡PRECAUCIÓN! No instale la bomba de condensados REFCO si observa que presenta algún síntoma de daño o desperfecto.



¡ADVERTENCIA! Inspeccione el cable de red y alarma del equipo de REFCO antes, durante y periódicamente después de su instalación para comprobar que no presenta ningún daño. Si el cable de red y alarma se hubiera dañado, desconecte la bomba de condensados de la conexión eléctrica y diríjase a REFCO para reemplazar el equipo.

La salida combinada del cable de red y alarma del equipo Combi no puede ser sustituida, por lo que, en caso de daño, deberá ser reemplazada toda la bomba de condensados.



¡ADVERTENCIA! Los cables de la bomba de condensados de REFCO no pueden cortarse y deben instalarse de tal manera que no puedan sufrir ningún daño durante ni después de la instalación.

¡PRECAUCIÓN! Todas las conexiones de los tubos deben asegurarse a las boquillas de los tubos utilizando sujetacables con autocierre.

NO UTILICE ninguna herramienta para conectar los tubos.

NO UTILICE este equipo a una temperatura ambiente inferior a 5 °C (41 °F).

NO UTILIZAR con agua entrante a una temperatura superior a 40 °C (104 °F).

¡PRECAUCIÓN! Evitar que la bomba de condensados entre en contacto con algún producto químico. Desmonte del sistema la bomba de condensados y el sensor de agua antes de utilizar líquidos de limpieza u otros productos químicos. Enjuague con agua las bobinas del evaporador antes de volver a instalar la bomba de condensados y el sensor de agua. Antes de volver a utilizar

el equipo, asegúrese de que no queda ningún resto de producto químico en las bobinas del evaporador.

¡PRECAUCIÓN! Este dispositivo tiene una conexión a tierra que sólo sirve para fines funcionales.



Evite cualquier carga de tracción sobre el cable de red al conectarlo.









Asegúrese de que el cable de alarma y el cable de red han quedado bien insertados en la conexión.



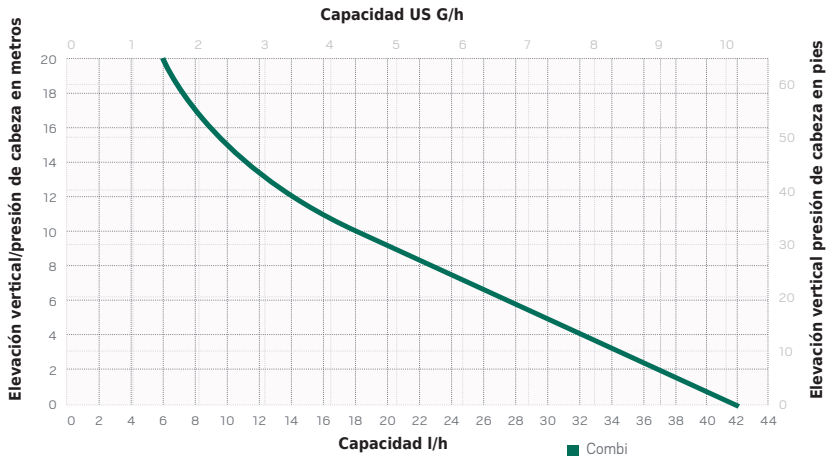
Utilice únicamente cables de red y cables de alarma originales.

Datos técnicos

Caudal máx.:	42 l/Hr. (11 GPH)
Succión máx.:	3 m (9,80 pies) autocebante
Trayecto vertical máx.:	20 m (65,60 pies)
Trayecto horizontal máx.:	100 m (330 pies) a 0 de trayecto vertical y a 0 de succión
Ruido:	20 dBA por 1 m DIN EN ISO 3741:2011 / DIN EN ISO 3744:2010
Tensión:	100 – 240 VAC 50/60 Hz corriente de entrada universal con sensor automático
Potencia:	8 W con un uso máximo de 110 V
Relé de alarma:	7 amperios, contactos NO/NC con fusible 6.3A integrado reemplazable de 5 x 20 mm
Peso:	1.000 g (2,2 libras)
Tubo estrellado de vaciado:	6,25 mm de diámetro interior (1/4") x 1 m (3,3 pies)
Medidas (embalada):	250 x 340 x 54 mm (9,9 x 13,4 x 2,1 pulgadas)
Medidas (caja al por mayor):	10 uds., medidas: 590 x 265 x 365 mm (23,2 x 10,4 x 14,4 pulgadas)
Color:	Gris (RAL #7040) y amarillo (RAL #1023)
Clase de protección:	Completamente encapsulada, IP44
Temperatura de servicio:	Ambiental: 5 °C – 40 °C (41 °F – 104 °F); temperatura del agua: 5 °C – 40 °C (41 °F – 104 °F)
Conformidad:	Conformidad con UL 778, CSA C22.2 #108 e UL 2043 (plenum rated)

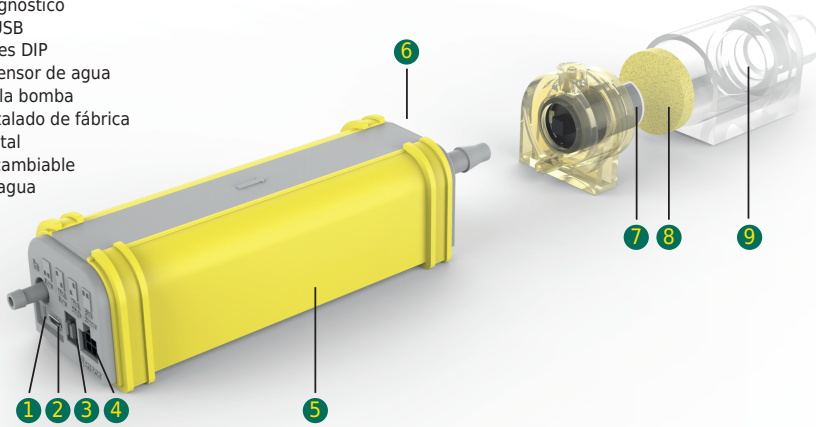







Capacidad

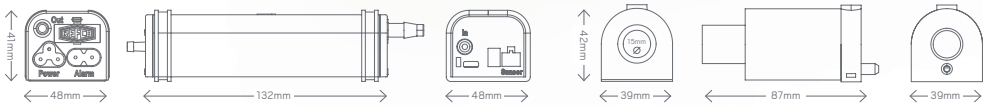


Descripción del producto

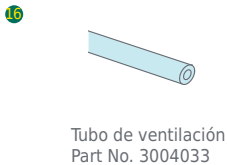
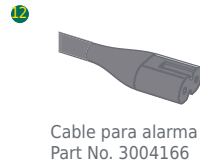
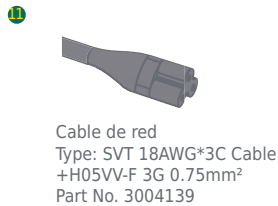
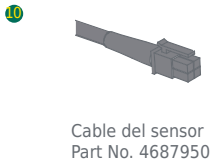
- 1 LED de diagnóstico
- 2 Conexión USB
- 3 Interruptores DIP
- 4 Toma del sensor de agua
- 5 Cuerpo de la bomba
- 6 Fusible instalado de fábrica
- 7 Sensor digital
- 8 Filtro intercambiable
- 9 Sensor de agua



Medidas de la bomba



Accesorios incluidos



Indicaciones de relé de alarma LED

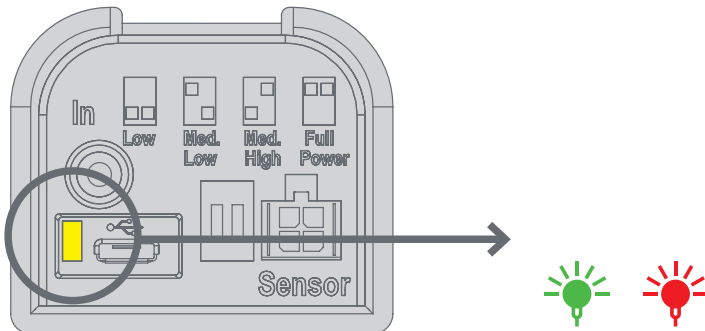


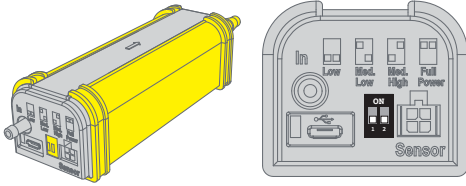
Table de operación de relé de alarma LED

Secuencia de inicio			
		(Normalmente cerrado)	(normalmente abierto)
Estado de la bomba	Nivel de condensado	Modo estándar	Modo periférico
Sin energía	N/A	NC COM	NC COM
Energía	Debajo del nivel de alarma	NC COM	NC COM
Energía	Alarma activada	NC COM	NC COM

* Alarm relay operation is user configurable see page 71/72 *

Indicaciones LED en funcionamiento

No energía		La bomba está mal conectada o no hay voltaje entrante. Problema con sistema de A / C o la alarma está mal conectada.
Secuencia de LED de inicio(defecto)		Alternando destellos rojos / verdes 5 veces solo luego se detiene y pasa al modo de espera.
Secuencia de LED de inicio (Modo periférico)		Alternando destellos rojos / verdes 5 veces solo luego se detiene y pasa al modo de espera.
Modo de espera - esperando agua		Verde intermitente continuamente
Bombeo de agua		Verde sólido. Corriendo en baja, medio baja, medio alta, o configuración de alta potencia operación normal.
Modo de nivel de agua alto		Parpadeando en rojo. Corriendo por encima del nivel del agua.
Modo de alarma - relé activado		Rojo sólido. La bomba no puede mantenerse al ritmo de la entrada de agua. A evitar el desbordamiento de agua romper el poder de A / C hasta que el agua el nivel se reduce
Reconfigurar el código		La bomba ha tenido 3 ciclos de funcionamiento extra largos, reconfigure dip switches para mayor capacidad.



Defecto de fábrica



Bajo
hasta 18K Btu/h
(5.3kW)



Medio bajo
hasta 42K Btu/h
(12kW)



Medio alto
hasta 72K Btu/h
(21.1kW)



Alto
hasta 120K Btu/h
(35kW)



Calificaciones para unidades de aire acondicionado

La clasificación de la bomba de condensado debe ajustarse según el poder de la unidad de acondicionamiento.

Transporte y almacenamiento

Transporte

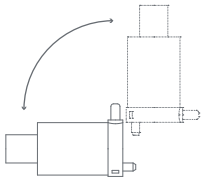
Inspeccione el equipo Combi para descartar que haya sufrido algún daño durante el transporte e informe inmediatamente al distribuidor de cualquier daño visible que presente.

Almacenamiento

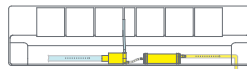
- Temperatura de almacenamiento: -20 °C - +60 °C
- Humedad: 0 - 90% humedad relativa (sin condensación)

Puesta en funcionamiento

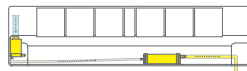
Aplicación



Sensor de agua puede ser utilizado horizontal o verticalmente



Sensor de agua y bomba en la unidad de la unidad de aire acondicionado junto a el uno al otro



Sensor de agua vertical y bomba en la unidad de aire acondicionado

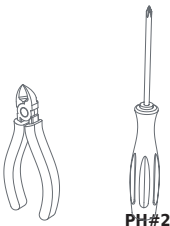


Sensor de agua en la unidad de aire acondicionado, bomba en el techo

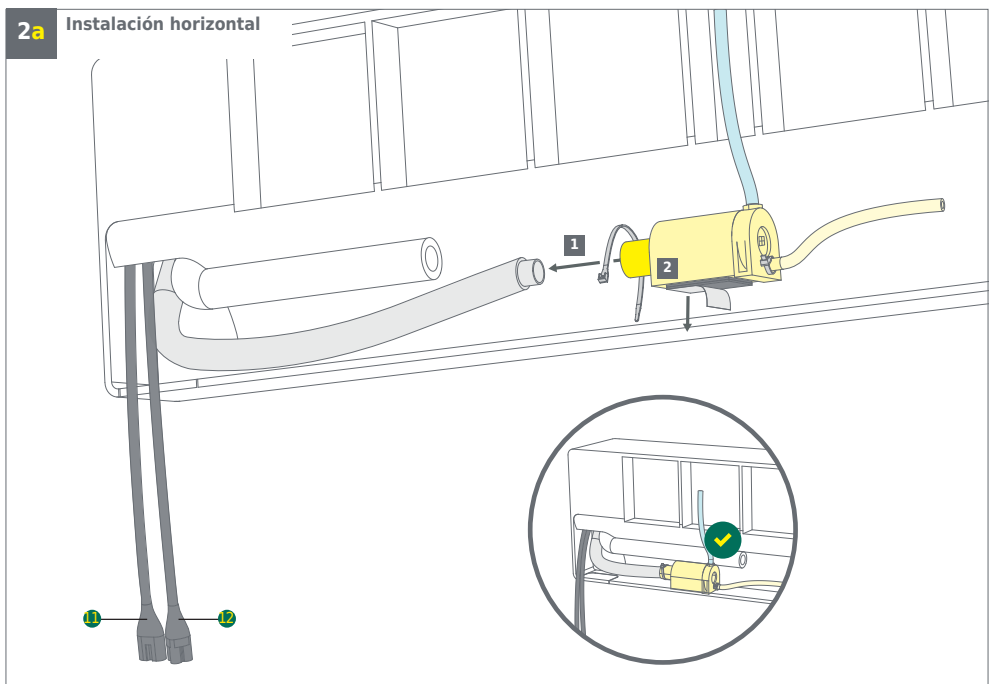
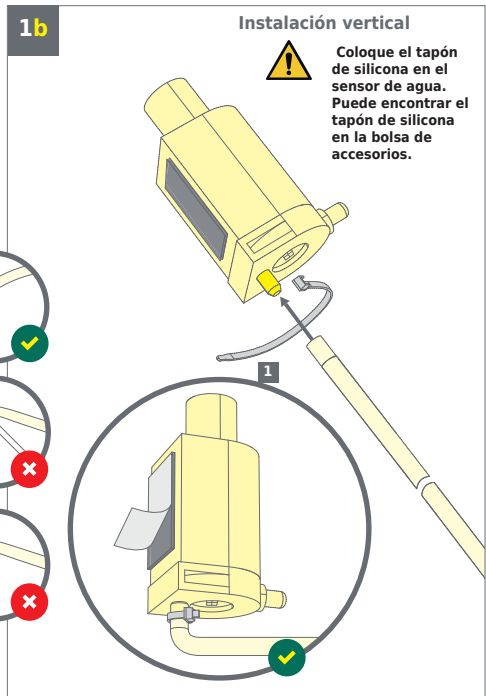
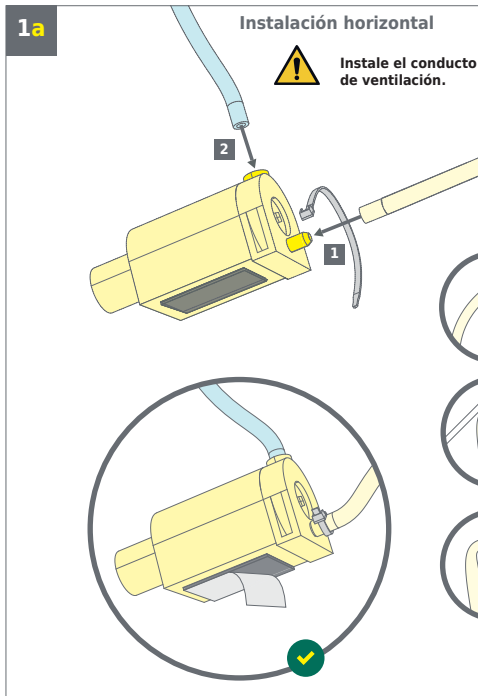


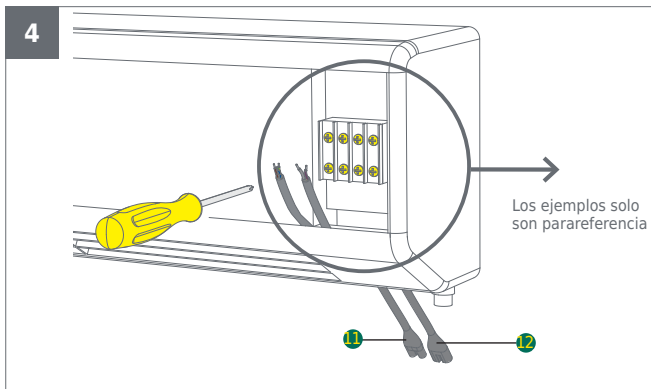
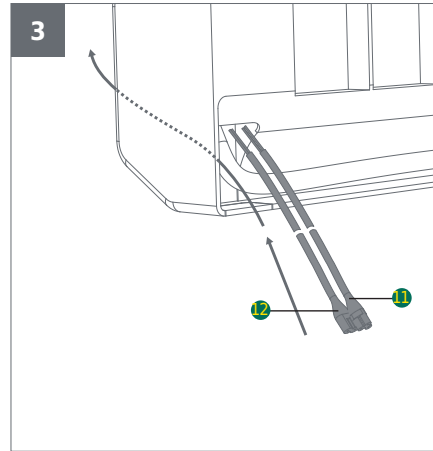
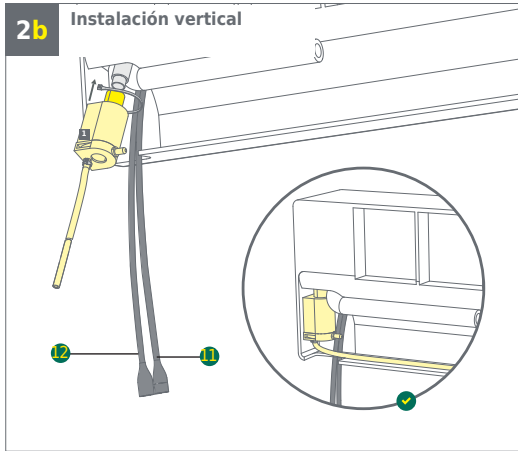
Sensor de agua dentro de la unidad de aire acondicionado y la bomba fuera de la unidad

Herramientas necesarias



PH#2



**¡ADVERTENCIA!**

Desconecte todas las conexiones eléctricas antes de comenzar a instalar el equipo o efectuar cualquier reparación o labor de mantenimiento.



La instalación solo puede ser efectuada por personal debidamente cualificado.



Las tomas y conexiones deben estar completamente secas.



POTENCIA DE ENTRADA:
100-240 V, 50/60 Hz, 2,5 A (máx.)



El fusible del relé de alarma debe ser compatible con el uso previsto y de tipo HRC, 5 x 20 mm, 250 VAC, 6.3 A (máx.).



Este dispositivo tiene una conexión a tierra que sólo sirve para fines funcionales.



Tenga en cuenta que algunos acondicionadores de aire están equipados con componentes que generan un campo electromagnético de alta frecuencia, como un purificador de aire, que puede interferir con el sensor digital de agua. Se recomienda colocar el sensor lo más lejos posible de un dispositivo de este tipo y comprobar el funcionamiento de la bomba de condensados en cuanto se encienda el aire acondicionado.

Si esto no es posible, recomendamos utilizar el COMBI-SHIELD, la protección del sensor contra interferencias electrónicas. Véase también piezas de repuesto y accesorios.

A continuación hay ejemplos de cómo se pueden instalar las bombas REFCO. Para referencia solamente

Cuando la unidad evaporadora interior es alimentada por la unidad condensadora exterior (dibujo # 1)

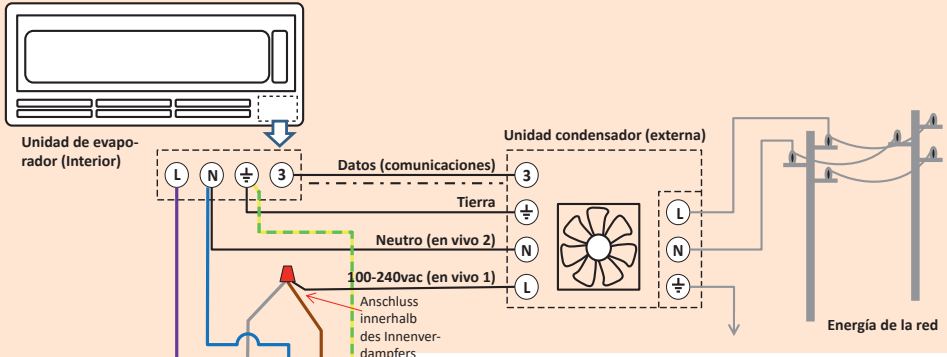


Table de operación de relé de alarma

Power up LED flash sequence			
Estado de la bomba	Nivel de condensado	Modo estándar	Modo periférico
Sin energía (falla de la bomba)	n/a	NC — COM	NC — COM
Energía	Por debajo del nivel de alarma	NC — COM	NC — COM
Energía	Alarma activada	NC — COM	NC — COM

Para cambiar la operación del relé de alarma

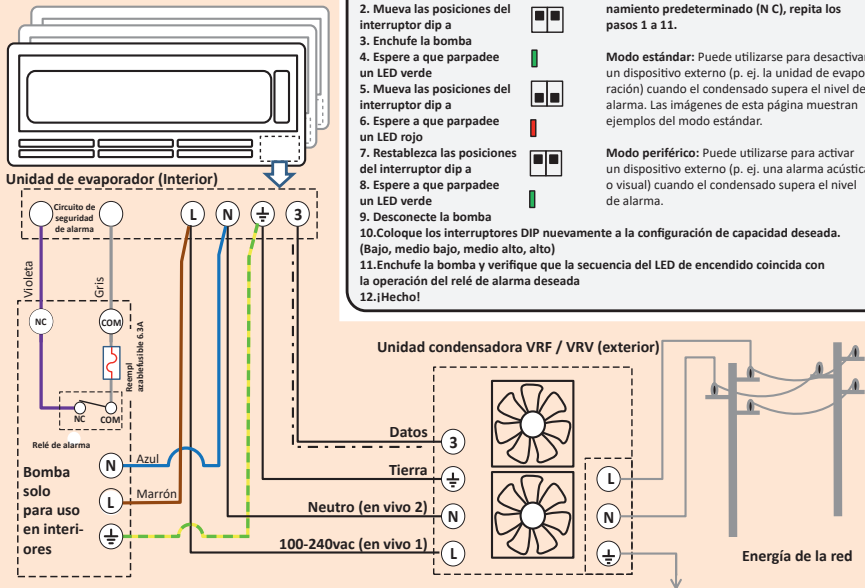
1. Desconecte la bomba
2. Mueva la posiciones del interruptor dip a
3. Enchufe la bomba
4. Espere a que parpadee un LED verde
5. Mueva la posiciones del interruptor dip a
6. Espere a que parpadee un LED rojo
7. Restablezca las posiciones del interruptor dip a
8. Espere a que parpadee un LED verde
9. Desconecte la bomba
10. Coloque los interruptores DIP nuevamente a la configuración de capacidad deseada. (Bajo, medio bajo, medio alto, alto)
11. Enchufe la bomba y verifique que la secuencia del LED de encendido coincida con la operación del relé de alarma deseada
12. ¡Hecho!

* Para reiniciar el relé de alarma al funcionamiento predeterminado (N C), repita los pasos 1 a 11.

Modo estándar: Puede utilizarse para desactivar un dispositivo externo (p. ej. la unidad de evaporación) cuando el condensado supera el nivel de alarma. Las imágenes de esta página muestran ejemplos del modo estándar.

Modo periférico: Puede utilizarse para activar un dispositivo externo (p. ej. una alarma acústica o visual) cuando el condensado supera el nivel de alarma.

Wenn Multi-Split-System installiert ist (dibujo # 2)



A continuación hay ejemplos de cómo se pueden instalar las bombas REFCO. Solo por referencia.

Cuando el condensador exterior se alimenta desde la unidad de evaporador interior (dibujo # 3)

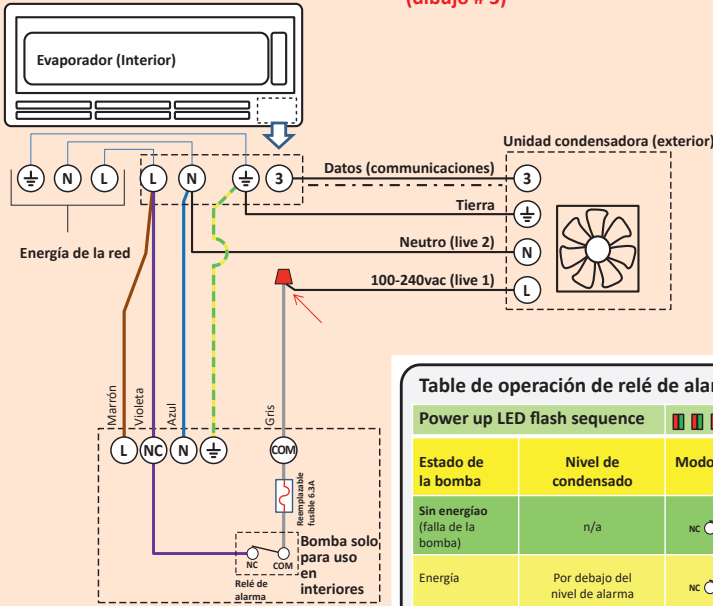


Table de operación de relé de alarma

Power up LED flash sequence			
Estado de la bomba	Nivel de condensado	Modo estándar	Modo periférico
Sin energía (falla de la bomba)	n/a		
Energía	Por debajo del nivel de alarma		
Energía	Alarma activada		

Para cambiar la operación del relé de alarma

1. Desconecte la bomba
2. Mueva las posiciones del interruptor dip a
3. Enchufe la bomba
4. Espere a que parpadee un LED verde
5. Mueva las posiciones del interruptor dip a
6. Espere a que parpadee un LED rojo
7. Restablezca las posiciones del interruptor dip a
8. Espere a que parpadee un LED verde
9. Desconecte la bomba
10. Coloque los interruptores DIP nuevamente a la configuración de capacidad deseada. (Bajo, medio bajo, medio alto, alto)
11. Enchufe la bomba y verifique que la secuencia del LED de encendido coincida con la operación del relé de alarma deseada
12. ¡Hecho!

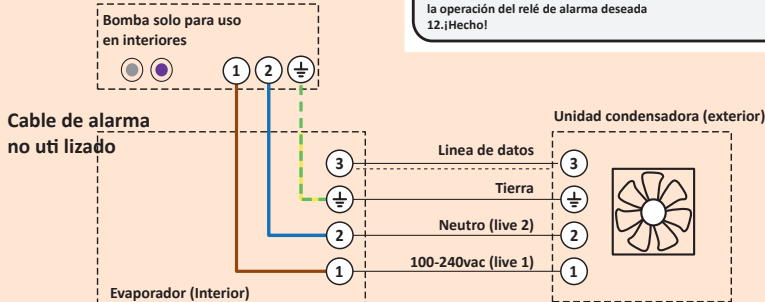
* Para reiniciar el relé de alarma al funcionamiento predeterminado (N C), repita los pasos 1 a 11.

Modo estándar: Puede utilizarse para desactivar un dispositivo externo (p. ej. la unidad de evaporación) cuando el condensado supera el nivel de alarma. Las imágenes de esta página muestran ejemplos del modo estándar.

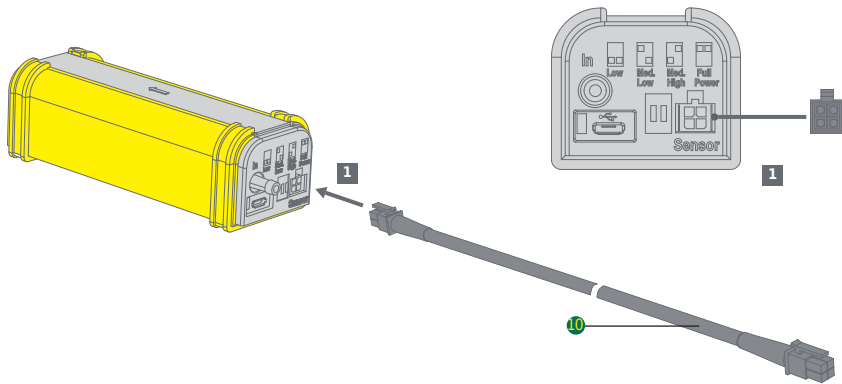
Modo periférico: Puede utilizarse para activar un dispositivo externo (p. ej. una alarma acústica o visual) cuando el condensado supera el nivel de alarma.

Energía solo sin circuito de alarma (dibujo # 4)

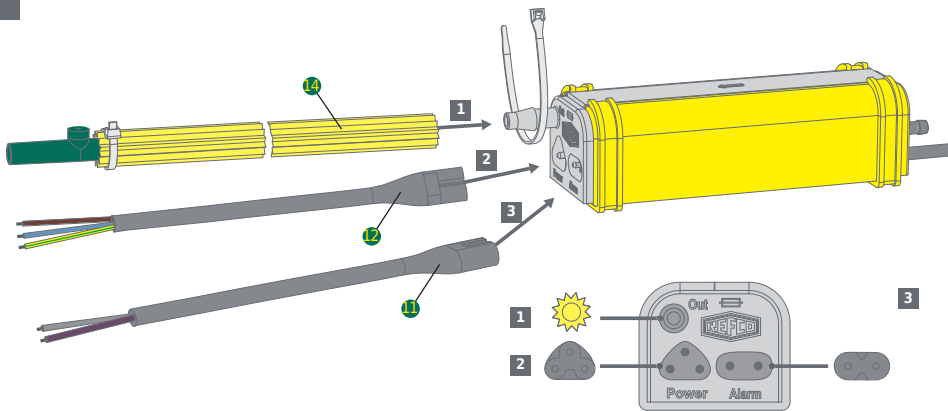
No recomendado: daño por agua puede ocurrir sila línea de drenaje se dobla, se pellizca o se tapona. Se puede dañar el agua si falla la bomba.



5



6



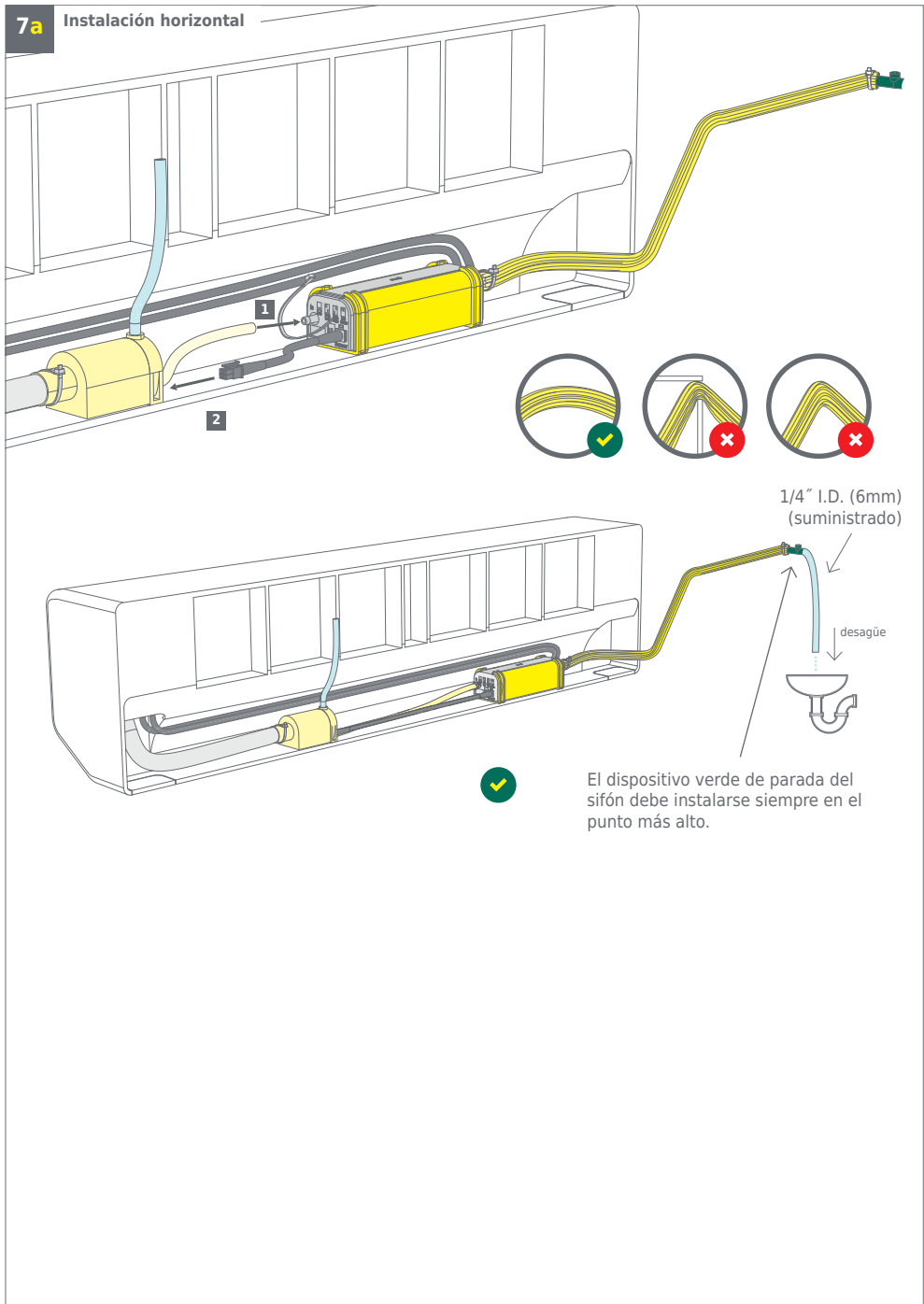
Evite cualquier carga de tracción sobre el cable de red al conectarlo.



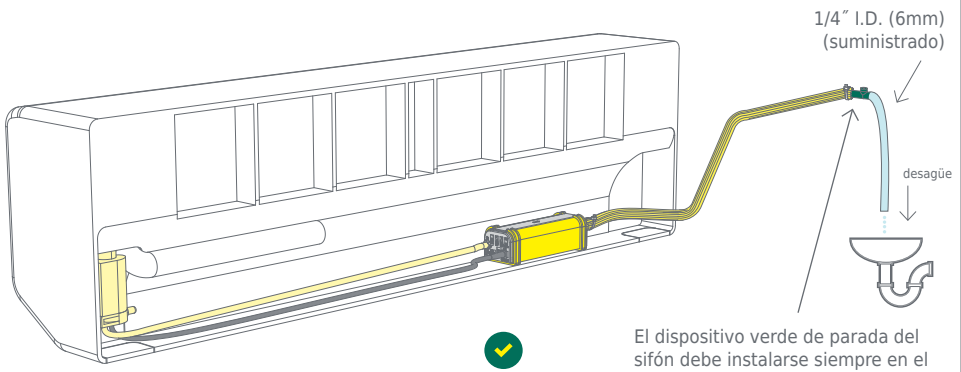
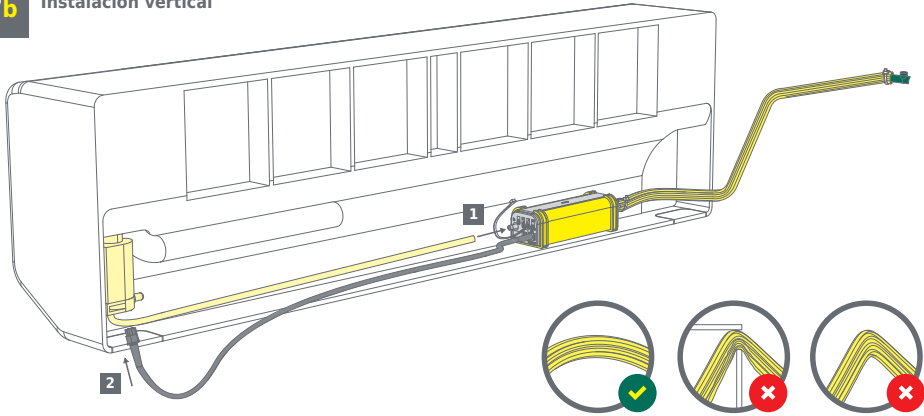
Asegúrese de que el cable de alarma y el cable de red han quedado bien insertados en la conexión.



Utilice únicamente cables de red y cables de alarma originales.



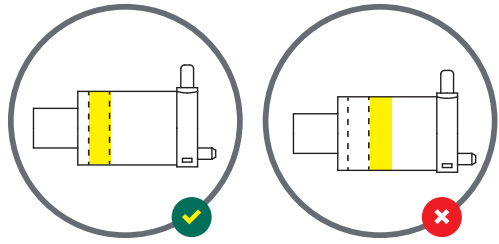
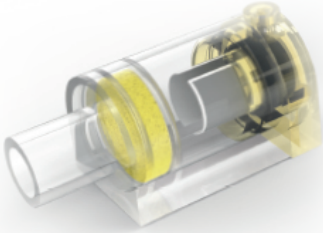
7b Instalación vertical



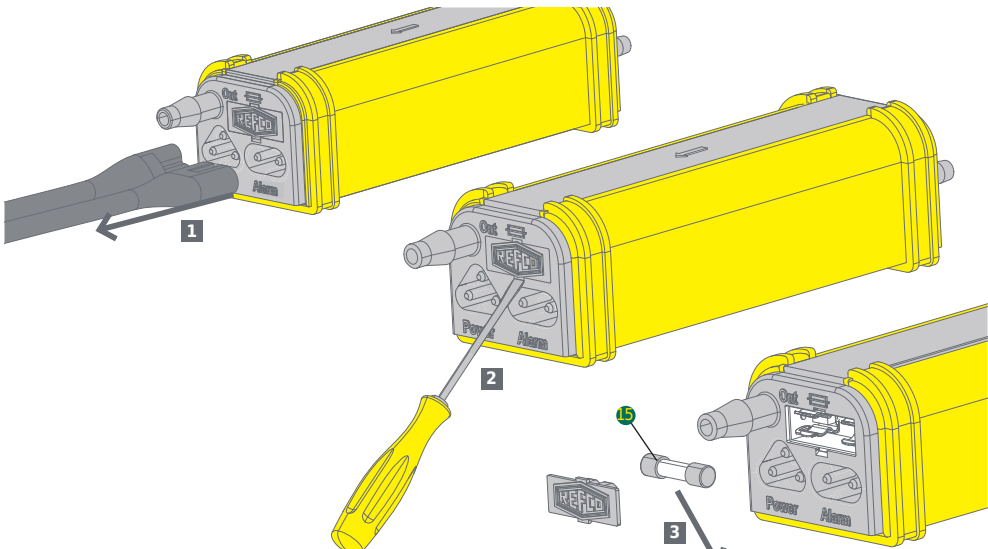
Mantenimiento

Mantenimiento del filtro de agua

Limpiar y reemplazar periódicamente el filtro de agua del equipo Combi ayuda a aumentar la vida útil de la bomba de condensados. El filtro de agua está diseñado para evitar la entrada de objetos extraños en la bomba. Los intervalos de limpieza y/o sustitución del filtro de agua depende del entorno específico en el que está instalada la bomba. Nosotros recomendamos limpiar o reemplazar el filtro de agua como mínimo cada 12 meses. No obstante, si el equipo Combi está instalado en entornos con mucho polvo, humo, aceites de cocina o en los que pueda formarse moho, entonces, recomendamos limpiar o cambiar el filtro cada 3 meses. Para limpiar o cambiar el filtro de agua, solo tiene que sacarlo de la carcasa del sensor de agua y lavarlo con agua fría. A continuación, vuelva a colocar el filtro tal y como se muestra en la imagen inferior **entre las dos** bridas de retención interiores de la carcasa del sensor.



Cambiar el fusible de alarma



¡ADVERTENCIA!
Desconecte todas las conexiones eléctricas antes de comenzar a instalar el equipo o efectuar cualquier reparación o labor de mantenimiento.



El fusible del relé de alarma debe ser compatible con el uso previsto y de tipo HRC, 5 x 20 mm, 250 VAC, 6.3 A (máx.).



La instalación solo puede ser efectuada por personal debidamente cualificado.



Devolución y eliminación

Al final de la vida útil de la bomba de condensados, deséchela depositándola en un punto limpio específico de recogida de aparatos eléctricos y electrónicos de acuerdo a la normativa vigente en su localidad.

Resolución de problemas

Problema	Solución
Los ledes no se encienden	<p>Compruebe la tensión de entrada. Los cables azul y marrón son los cables eléctricos.</p>
La bomba funciona constantemente	<p>Cerciórese de que el filtro está posicionado correctamente. El filtro de agua no debe tocar el sensor digital.</p> <p>Compruebe si el sensor digital presenta restos de suciedad, moho u objetos extraños y, en caso. Si el resultado no es satisfactorio, limpie el sensor con un líquido a base de alcohol.</p> <p>Compruebe todos los tubos de conexión y asegúrese de que están bien fijados a las boquillas y asegurados con sujetacables. Compruebe toda la línea de drenaje y asegúrese de que no hay ningún atasco o dobleces y de que el tubo no se ha quedado bloqueado.</p> <p>Si la bomba funciona constantemente y el agua fluye desde el final de la línea de drenaje, entonces, debe cambiar los ajustes de potencia del interruptor DIP para aumentar la potencia de la bomba de condensados, ya que la cantidad de agua o el trayecto vertical de la bomba son demasiados altos para la potencia actual de la bomba.</p>
El aire acondicionado no funciona	<p>Compruebe el piloto led de estado operativo de la bomba. Si está encendido de color rojo continuo (sin parpadear) y el cable de alarma está bien conectado, entonces, el relé de alarma de la bomba evita a propósito que el aire acondicionado funcione para evitar que se derrame agua o se produzcan posibles daños de agua. Esta es la forma correcta de funcionar del relé de alarma de la bomba.</p> <p>Si se está utilizando el cable de alarma, compruebe el fusible de alarma HRC con un multímetro y cámbielo de ser necesario. Los fusibles de cristal pueden comprobarse con una inspección visual.</p> <p>Si se utiliza el cable de alarma, asegúrese de que la bomba está en el modo estándar.</p> <p>Si se está utilizando el cable de alarma y los cables están conectados adecuadamente, compruebe el piloto led de estado operativo. Si está APAGADO y no hay ninguna luz encendida, entonces el fallo está en la conexión eléctrica de la bomba o en la misma bomba.</p> <p>En el modo de alarma, la bomba sigue funcionando incluso con el aire acondicionado apagado para reducir el nivel de agua. En cuanto el nivel de agua ha bajado lo suficiente, la bomba reinicia automáticamente el relé de alarma para volver a suministrar energía eléctrica al aire acondicionado.</p> <p>Observación: Algunos equipos de aire acondicionado exteriores tardan 5 minutos en encender el compresor y volver a activar el modo de refrigeración normal.</p>
La bomba se apaga en cuanto se enciende el aire acondicionado:	<p>Compruebe si el aire acondicionado está equipado con un purificador de aire (ionizador) u otro componente que pueda generar un campo electromagnético de alta frecuencia. Si el sensor de agua está cerca, cambie la ubicación del sensor lo más lejos posible de la presunta fuente de interferencias. Por ejemplo, si el ionizador está en el lado izquierdo del aire acondicionado, mueva el sensor lo más lejos posible hacia la derecha. A continuación, asegúrese de que la bomba funciona sin interferencias en cuanto se enciende el aire acondicionado.</p>
La alarma está activada	<p>Si la alarma está activada (el led está encendido de color rojo continuo), la cantidad de agua que entra en la bomba es tan grande que la bomba no puede hacer frente a ella. En cuanto el sensor digital detecte un nivel de agua demasiado alto, activará el relé de alarma y detendrá el suministro eléctrico del aire acondicionado (solo si se está usando el cable de alarma). En ese caso, la línea de drenaje podría estar bloqueada, doblada o atascada. También puede deberse a que no se ha configurado en la bomba la potencia adecuada para la capacidad del aire acondicionado o para el trayecto vertical.</p>
Gotea agua	<p>Asegúrese de que el cable de alarma está conectado correctamente según el correspondiente esquema de conexiones eléctricas. Observación: Existen distintos tipos de esquemas de conexiones eléctricas para los distintos tipos de equipos de aire acondicionado.</p> <p>Si no se está utilizando la función de alarma y la línea de drenaje está bloqueada, doblada o atascada, la bomba podría desbordarse. Por eso, se recomienda utilizar siempre la función de alarma.</p> <p>Compruebe todas las conexiones de los tubos. En caso de que haya una gran presión de altura (para los trayectos verticales largos), la presión del agua puede hacer que el tubo se suelte de la boquilla. Por eso, deben utilizarse siempre los sujetacables incluidos.</p>
La bomba hace mucho ruido	<p>Compruebe que el filtro está posicionado correctamente. Si el filtro de agua toca el sensor digital, este cree que es agua y activa la bomba, por lo que la bomba empieza a funcionar en seco pese a que no debería funcionar.</p> <p>Limpie el sensor digital y el filtro con agua.</p>

Configure la potencia de la bomba correctamente adaptándola a la potencia del aire acondicionado, al trayecto vertical y a la línea de drenaje (ver ajuste del interruptor DIP en las instrucciones de instalación).

Borbotones o gorgoteos

Elimine de la línea de drenaje un posible efecto sifón. Si la línea de drenaje transcurre por debajo de la bomba, el peso del agua que queda en la línea de drenaje después de apagar la bomba produce un efecto sifón. Esto provoca que se aspire agua de la bomba, lo que, a su vez, hace que la bomba se inicie y funcione en seco hasta que vuelva a entrar agua. Aquí pueden escucharse sonidos de borbotones o gorgoteos. Monte la línea de drenaje correctamente para evitar que se produzca el efecto sifón.

El led parpadea

Inmediatamente al encender la bomba, esta mostrará una secuencia de inicio de 5 ledes y luego se pondrá en modo en espera (luz verde parpadeante). Esto es normal y, de hecho. Esto es normal. Y de hecho. Esta secuencia de inicio led es la única indicación que nos permite saber si el relé de alarma está configurado para el modo estándar ó modo periférico. El relé de alarma puede configurarse individualmente y cambiarse de un lado a otro (ver instrucciones sobre esquemas de conexiones eléctricas).

El led parpadea 3 veces de color rojo y 3 veces de color verde

Esto es un aviso de nueva configuración. La bomba está pidiendo ayuda. Si la bomba cambia del modo en espera al modo de alarma en 3 ciclos largos sucesivos, está avisando de que los ajustes de potencia actuales del interruptor DIP para el caudal de agua, el trayecto vertical o ambos valores son demasiado bajos y deben aumentarse. Aumente entonces la potencia de la bomba con el interruptor DIP. El aviso de nueva configuración aparece cuando se ha activado el modo de alarma después de 3 ciclos largos sucesivos.

Recambios y accesorios



HSG-4065/4
Stop-Siphon Device, 4 pcs.
Part No 3004065



FIL-4063/4
Filtro, 4 piezas
Part No 3004063



FUS-4180/10
Fusibles 5x20 6.3A, 10 piezas
Part No 3004180



KIT-4087
Tubo estrella con dispositivo
Stop-Siphon
Part No 3004087



PVC-TUBE
Tubo de plástico de 6 mm (1/4”),
mínimo 30 metros
Part No 4679160



COMBI-SEN
Sensor de repuesto para COMBI
Part No 3004113



IN-LINE FILTER
Filtro de agua de condensación
Part No 4678597

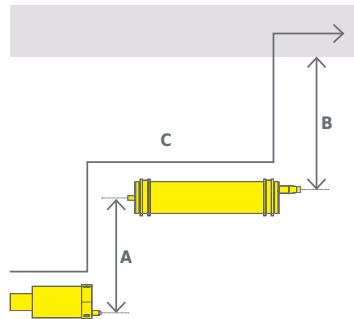


COMBI-SHIELD
Protección del sensor contra
interferencias electrónicas
Part No 3004187

Anexo

Caudal corregido según la instalación l/h 1/4” (6 mm), tubo de vaciado a potencia máxima

A	B	C				
		Medidores de longitud total (marcha)				
Succión (elevación)	Descarga (subida) m	5	10	15	20	30
0.0 m	0	42	42	40	40	40
	1 (3.3ft.)	42	42	40	40	36
	3 (9.9 ft.)	37	37	35	35	34
	5 (16.4 ft.)	31	30	29	29	29
	10 (32.8 ft.)	17	16	15	14	14
	15 (49.2 ft.)	9	9	9	9	8
1.0 m (3.3 Ft)	20 (65.6 ft.)				8	7
	0	42	42	42	40	40
	1 (3.3ft.)	42	42	42	40	39
	3 (9.9 ft.)	36	36	35	35	34
	5 (16.4 ft.)	30	30	29	29	29
	10 (32.8 ft.)	16	16	16	16	15
2.0 m (6.6 Ft.)	15 (49.2 ft.)	10	10	10	10	10
	20 (65.6 ft.)					7
	0	35	35	35	35	34
	1 (3.3ft.)	33	33	33	32	31
	3 (9.9 ft.)	33	32	31	31	30
	5 (16.4 ft.)	27	26	26	26	25
3.0 m (9.9 Ft.)	10 (32.8 ft.)	17	17	16	16	15
	15 (49.2 ft.)	10	10	10	9	9
	20 (65.6 ft.)					5
	0	30	30	30	30	29
	1 (3.3ft.)	28	28	28	28	27
	3 (9.9 ft.)	28	28	28	27	26
3.0 m (9.9 Ft.)	5 (16.4 ft.)	23	23	23	23	22
	10 (32.8 ft.)	15	15	15	15	15
	15 (49.2 ft.)	7	7	6	5	5



Fórmula de conversión para galones estadounidenses / hora:

_____ L/Hr. x 0.264 = _____ G/Hr.



REFCO Manufacturing Ltd.

Industriestrasse 11
CH-6285 Hitzkirch
+41 41 919 72 82
info@refco.ch
www.refco.ch

3924/3004176/V08